

Singer 691

部 品 表

ILLUSTRATED PARTS LIST

FOR

SINGER*

MACHINE

691

* A Trademark of THE SINGER COMPANY
Copyright © 1992 SINGER SEWING MACHINE COMPANY
All Rights Reserved Throughout The World

CONTENTS

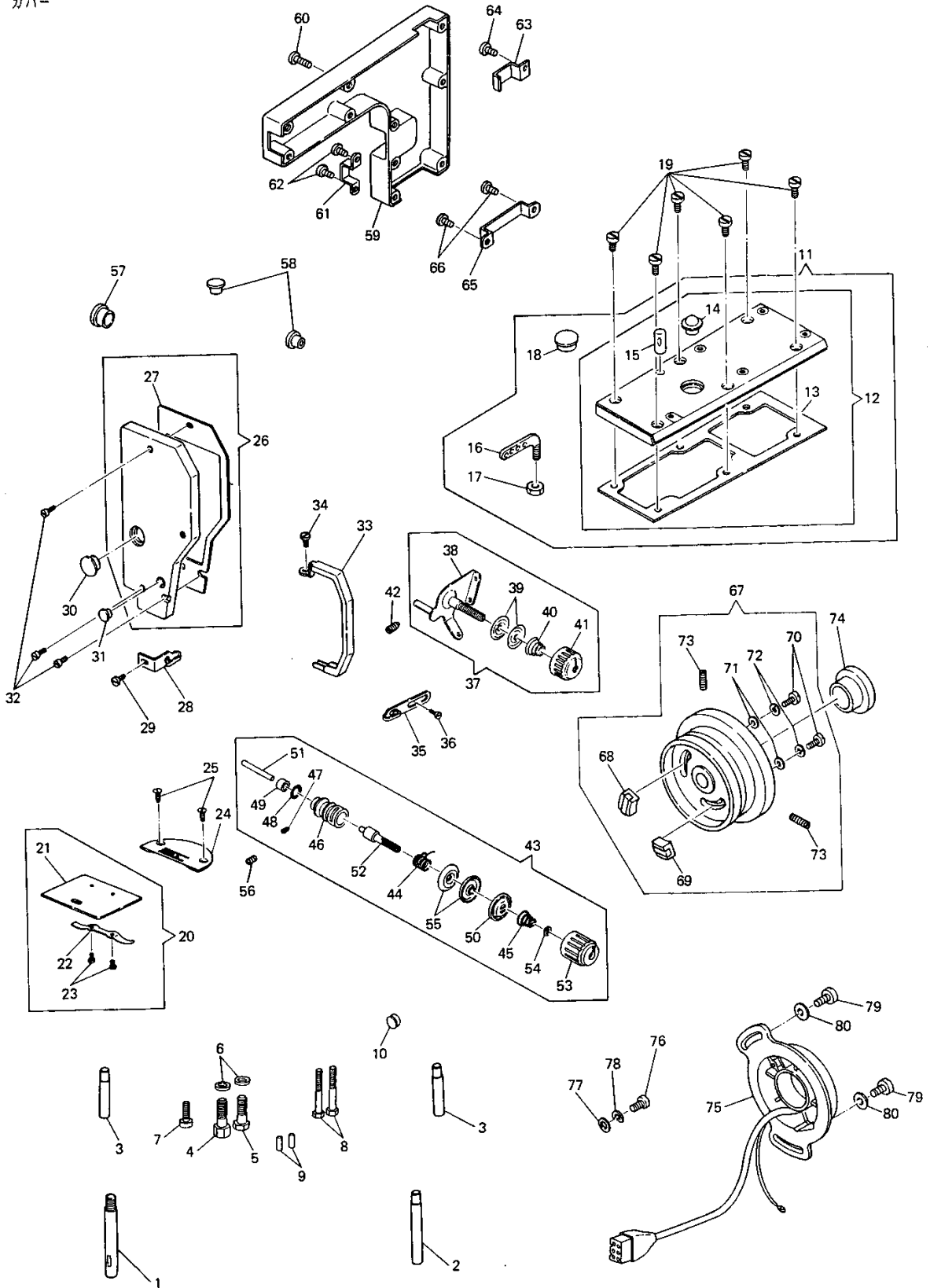
目 次

COVERS -----	1
カバー	
BOBBIN WINDER AND BOBBIN WINDER TENSION -----	2
ボビンワインダー、ボビンワインダーテンション	
ARM SHAFT, NEEDLE BAR AND THREAD TAKE-UP LEVER -----	3
上軸、針棒、天ピン	
PRESSER BAR, PRESSER FOOT AND TENSION RELEASING -----	4
自由押エ、糸ユルメ	
FEED MECHANISM 1 -----	5
送り 1	
FEED MECHANISM 2 -----	6
送り 2	
UPRIGHT SHAFT AND ROTATING HOOK SHAFT -----	7
要軸、下軸	
LUBRICATING MECHANISM -----	8
給油、運流	
THREAD TRIMMER AND THREAD RETAINER -----	9
糸切り、下糸押エ	
BACK TACK MECHANISM -----	10
バックタック	
WIPER -----	11
ワイパー	
NEEDLE THREAD HOLDER -----	12
上糸ツカミプーラー	
SLACK NEEDLE THREAD REGULATOR AND SUCTION PIPE -----	13
上糸タグリ、上糸吸引パイプ	
ACCESSORIES AND ATTACHMENTS -----	14
付属品	
PARTS AVAILABLE AT EXTRA CHARGE -----	15
別売品	

シンガー社は皆様に常に最新の縫製性能を提供するために、必要に応じてこのミシンの
外観、デザイン又は付属品等を変更することがあります。

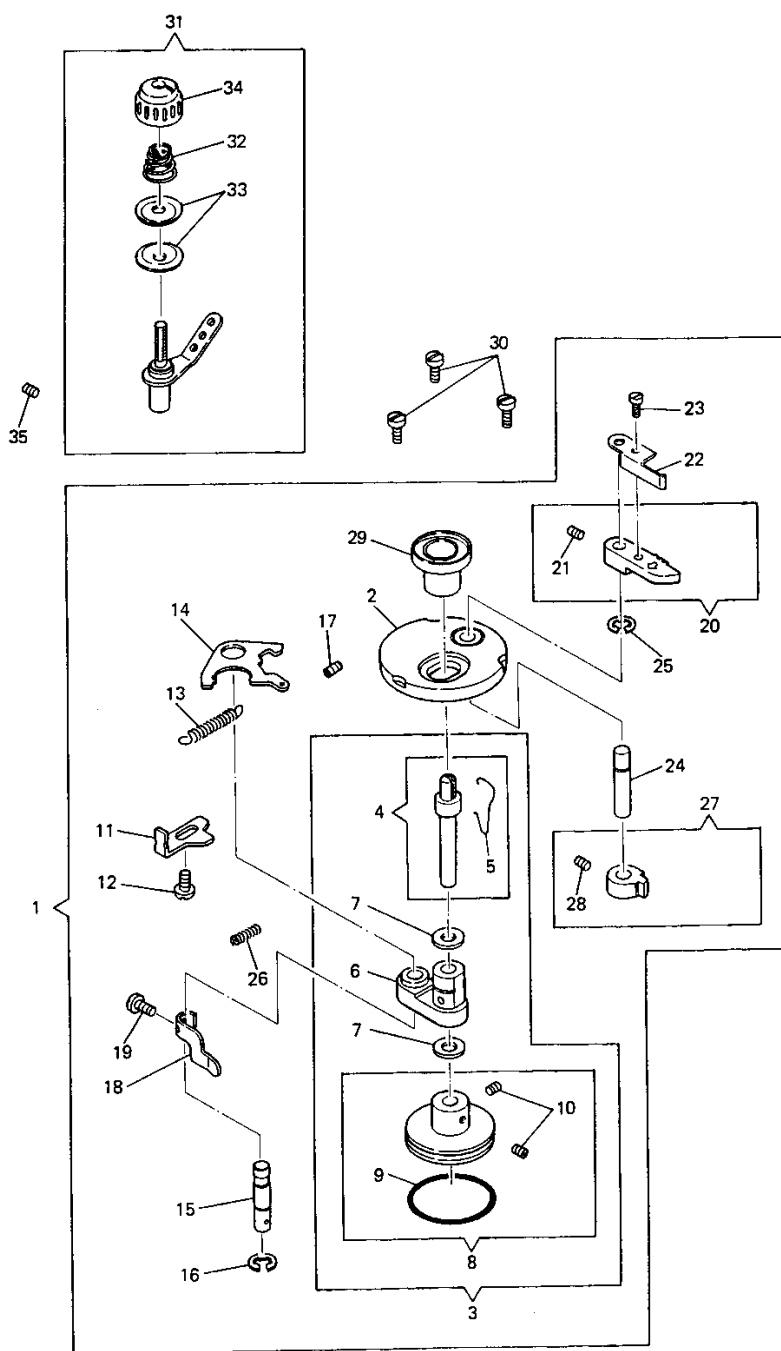
TO ENSURE THAT YOU ARE ALWAYS PROVIDED WITH THE MOST MODERN SEWING CAPABILITIES,
THE MANUFACTURER RESERVES THE RIGHT TO CHANGE THE APPEARANCE, DESIGN OR ACCESSORIES
OF THIS SEWING MACHINE WHEN CONSIDERED NECESSARY WITHOUT NOTIFICATION OR OBLIGATION.

COVERS
カバー



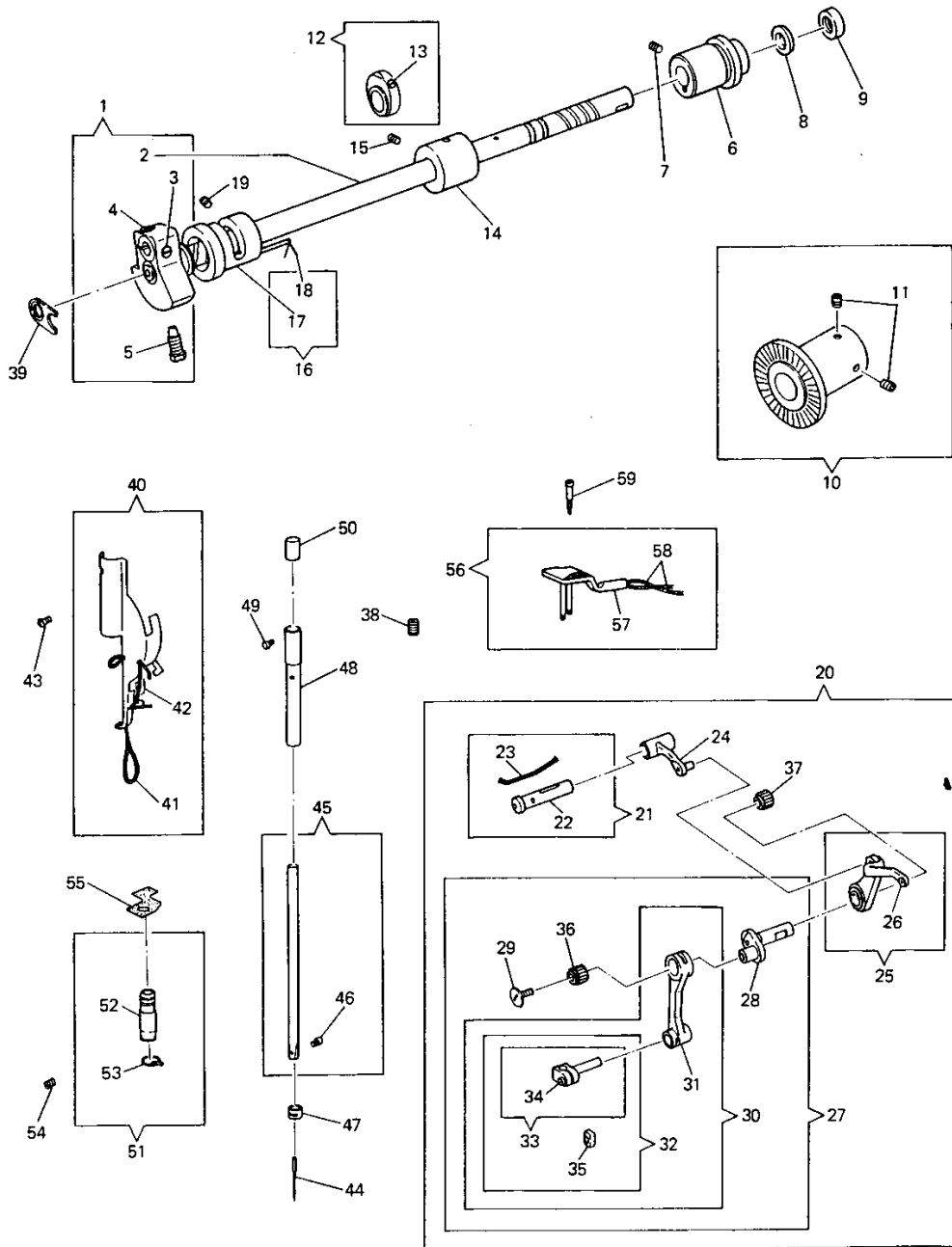
NO.	部品番号 PART NO.	691D10066 691D11066 691D15066 691D20066 691D21066 691D30066 691D31066 691D39066						数量 QTY.	名 称	DESCRIPTION
		691D10066	691D11066	691D15066	691D20066	691D21066	691D30066			
1	368762	●	●	●	●	●	●	1	ベッド脚(長)	Bed Leg(long)
2	368005	●	●	●	●	●	●	1	ベッド脚(中)	Bed Leg(middle)
3	368006	●	●	●	●	●	●	2	ベッド脚(短)	Bed Leg(short)
4	368007	●	●	●	●	●	●	1	アーム,ベッド締メネジ(前)(右)	Arm Screw(front)(right)
5	544368	●	●	●	●	●	●	1	アーム,ベッド締メネジ(前)(左)	Arm Screw(front)(left)
6	543826	●	●	●	●	●	●	2	アーム,ベッド締メネジ(前) 座金	Arm Screw(front)Washer
7	504064	●	●	●	●	●	●	1	アーム,ベッド締メネジ(小)	Arm Screw(small)
8	545033	●	●	●	●	●	●	2	アーム,ベッド締メネジ(後)	Arm Screw(back)
9	505001	●	●	●	●	●	●	2	アーム,ベッドロックピン	Arm Dowel Pin
10	376234	●	●	●	●	●	●	1	ベッドホールプラグ	Bed Hole Plug
11	368008-001	●	●	●	●	●	●	1	アーム上蓋(組)(XS1000用)	Arm Top Cover Comp.(For XS1000)
11	368008-002	●	●	●	●	●	●	1	アーム上蓋(組)(XS2000/3000用)	Arm Top Cover Comp.(For XS2000/3000)
12	368389-001	●	●	●	●	●	●	1	アーム上蓋,ガスケット(組)(XS1000用)	Arm Top Cover and Arm Top Cover Gasket Comp.(For XS1000)
12	368389-002	●	●	●	●	●	●	1	アーム上蓋,ガスケット(組)(XS2000/3000用)	Arm Top Cover and Arm Top Cover Gasket Comp.(For XS2000/3000)
13	368010	●	●	●	●	●	●	1	アーム上蓋ガスケット	Arm Top Cover Gasket
14	545944	●	●	●	●	●	●	1	ウインドウ	Oil Flow Window
15	508562	●	●	●	●	●	●	1	上糸案内輪	Thread Guide Stud
16	411092	●	●	●	●	●	●	1	上糸案内	Thread Guide
17	541179	●	●	●	●	●	●	1	上糸案内ロックナット	Thread Guide Lock Nut
18	544875	●	●	●	●	●	●	1	アーム上蓋プラグ	Arm Top Cover Plug
19	544213-053	●	●	●	●	●	●	6	アーム上蓋締メネジ	Arm Top Cover Screw
20	505317-452	●	●	●	●	●	●	1	スベリ板(組)	Bed Slide Comp.
21	12431-452	●	●	●	●	●	●	1	スベリ板	Bed Slide
22	154884	●	●	●	●	●	●	1	スベリ板バネ	Bed Slide Spring
23	154789-451	●	●	●	●	●	●	2	スベリ板バネ止メネジ	Bed Slide Spring Screw
24	368038	●	●	●	●	●	●	1	針板(国内)	Throat Plate(DOM)
24	368315	●	●	●	●	●	●	1	針板(国内)	Throat Plate(DOM)
24	368169	●	●	●	●	●	●	1	針板(輸出)	Throat Plate(EXP)
24	368039	●	●	●	●	●	●	1	針板	Throat Plate
25	691-845	●	●	●	●	●	●	2	針板止メネジ	Throat Plate Screw
26	368390	●	●	●	●	●	●	1	面板,ガスケット(組)	Face Plate and Face Plate Gasket Comp.
27	368036	●	●	●	●	●	●	1	面板ガスケット	Face Plate Gasket
28	368041	●	●	●	●	●	●	1	アーム糸掛け(左)	Thread Eyelet(side of arm)
29	544212-001	●	●	●	●	●	●	1	アーム糸掛け(右)止メネジ	Thread Eyelet(side of arm)Screw
30	368063	●	●	●	●	●	●	1	面板プラグ(大)	Face Plate Large Plug
31	368037	●	●	●	●	●	●	1	面板プラグ(小)	Face Plate Small Plug
32	544212-004	●	●	●	●	●	●	3	面板止メネジ	Face Plate Screw
33	368040	●	●	●	●	●	●	1	天ピンガード	Thread Take-up Lever Guard
34	544212-001	●	●	●	●	●	●	1	天ピンガード止メネジ	Thread Take-up Lever Guard Screw
35	368042	●	●	●	●	●	●	1	アーム糸掛け(右)	Thread Guard(side of arm)
36	544212-001	●	●	●	●	●	●	1	アーム糸掛け(右)止メネジ	Thread Guard(side of arm)Screw
37	368820	●	●	●	●	●	●	1	プリテンション(組)	Pre-tension Comp.
38	368821	●	●	●	●	●	●	1	プリテンションブラケット(組)	Pre-tension Bracket Comp.
39	547247	●	●	●	●	●	●	2	プリテンションディスク	Pre-tension Disc
40	368824	●	●	●	●	●	●	1	プリテンションスプリング	Pre-tension Spring
41	368825	●	●	●	●	●	●	1	プリテンションキャップ	Pre-tension Cap
42	504094	●	●	●	●	●	●	1	プリテンション止メネジ	Pre-tension Set Screw
43	368043	●	●	●	●	●	●	1	上糸調整器(組)	Tension Comp.
43	368044	●	●	●	●	●	●	1	上糸調整器(組)	Tension Comp.
44	32758	●	●	●	●	●	●	1	糸取りバネ	Thread Take-up Spring
44	368650	●	●	●	●	●	●	1	糸取りバネ	Thread Take-up Spring
45	540682	●	●	●	●	●	●	1	糸調子バネ	Tension Spring
45	125314	●	●	●	●	●	●	1	糸調子バネ	Tension Spring
46	368082	●	●	●	●	●	●	1	糸調子外筒	Thread Take-up Spring Regulator
47	504047	●	●	●	●	●	●	1	糸調子筒止メネジ	Tension Stud Set Screw
48	540533	●	●	●	●	●	●	1	糸調子外筒パッキン	Thread Take-up Spring Regulator O-ring
49	540534	●	●	●	●	●	●	1	糸調子外筒キャップ	Thread Take-up Spring Regulator Rubber Cap
50	414273	●	●	●	●	●	●	1	糸調子取捨エ	Tension Releasing Disc
51	368045	●	●	●	●	●	●	1	糸ユルメピン	Tension Releasing Pin
52	545898	●	●	●	●	●	●	1	糸調子棒	Tension Stud
53	368046	●	●	●	●	●	●	1	糸調子つまみ	Tension Regulating Thumb Nut
54	411154	●	●	●	●	●	●	1	糸調子つまみ座金	Tension Regulating Thumb Nut Washer
55	2102	●	●	●	●	●	●	2	糸調子皿	Tension Disc
56	368430	●	●	●	●	●	●	1	糸調子外筒止メネジ	Thread Take-up Spring Regulator Set Screw
57	544886	●	●	●	●	●	●	1	アームホールプラグ(大)	Arm Hole Plug(Large)
58	544782	●	●	●	●	●	●	2	アームホールプラグ(小)	Arm Hole Plug(small)
59	368048	●	●	●	●	●	●	1	コードカバー	Cord Cover
60	544212-003	●	●	●	●	●	●	10	コードカバー止メネジ	Cord Cover Screw
61	368049	●	●	●	●	●	●	1	コード押工金具(前)	Cord Hold Plate(front)
62	544212-001	●	●	●	●	●	●	2	コード押工金具(前)止メネジ	Cord Hold Plate(front)Screw
63	368050	●	●	●	●	●	●	1	コード押工金具(上)	Cord Hold Plate(upper)
64	544212-001	●	●	●	●	●	●	1	コード押工金具(上)止メネジ	Cord Hold Plate(upper)Screw
65	368051	●	●	●	●	●	●	1	コード押工金具(下)	Cord Hold Plate(lower)
66	544212-001	●	●	●	●	●	●	2	コード押工金具(下)止メネジ	Cord Hold Plate(lower)Screw
67	368052	●	●	●	●	●	●	1	ハズミ車(組)	Machine Pulley Comp.
68	369007	●	●	●	●	●	●	1	マグネット(組)(N極)	Magnet Comp.(N pole)
69	369008	●	●	●	●	●	●	1	マグネット(組)(S極)	Magnet Comp.(S pole)
70	544212-003	●	●	●	●	●	●	2	マグネット(組)止メネジ	Magnet Comp.Screw
71	543804-003	●	●	●	●	●	●	2	マグネット(組)止メネジ座金	Magnet Comp.Screw Washer
72	543805-003	●	●	●	●	●	●	2	マグネット(組)止メネジバネ座金	Magnet Comp.Screw Spring Washer
73	504119	●	●	●	●	●	●	2	ハズミ車締メネジ	Machine Pulley Set Screw
74	368055	●	●	●	●	●	●	1	ハズミ車ゴムキャップ	Machine Pulley Rubber Cap
75	369034-001	●	●	●	●	●	●	1	シンクロナイザ(組)(XS1000用)	Synchronizer Comp.(for XS1000)
75	369034-002	●	●	●	●	●	●	1	シンクロナイザ(組)(XS2000/3000用)	Synchronizer Comp.(for XS2000/3000)
76	544212-001	●	●	●	●	●	●	1	アース止メネジ	Earth Cord Screw
77	543803-003	●	●	●	●	●	●	1	アース止メネジバネ座金	Earth Cord Screw Washer
78	543805-003	●	●	●	●	●	●	1	アース止メネジバネ座金	Earth Cord Spring Washer
79	544213-001	●	●	●	●	●	●	2	シンクロナイザ止メネジ	Synchronizer Screw
80	543804-004	●	●	●	●	●	●	2	シンクロナイザ止メネジ座金	Synchronizer Screw Washer

BOBBIN WINDER AND BOBBIN WINDER TENSION
ボビンワインダー、ボビンワインダーテンション



NO.	部品番号 PART NO.	691D100G5 691D110G5 691D150G5 691D200G5 691D210G5 691D250G5 691D300G5 691D310G5 691D350G5						数量 QTY.	名 称	DESCRIPTION	
		691D100G5	691D110G5	691D150G5	691D200G5	691D210G5	691D250G5				691D300G5
1	368011	●	●	●	●	●	●	●	1	ボビンワインダー(組)	Bobbin Winder Comp.
2	368012	●	●	●	●	●	●	●	1	ボビンワインダー(体)	Bobbin Winder
3	368013	●	●	●	●	●	●	●	1	糸巻輪台(組)	Bobbin Winder Bracket Comp.
4	368428	●	●	●	●	●	●	●	1	糸巻輪(組)	Bobbin Winder Spindle Comp.
5	411097	●	●	●	●	●	●	●	1	糸巻輪バネ	Bobbin Winder Spindle Spring
6	368015	●	●	●	●	●	●	●	1	糸巻輪台	Bobbin Winder Bracket
7	546844	●	●	●	●	●	●	●	2	糸巻輪セラトワッシャー	Bobbin Winder Spindle Thrust Washer
8	368016	●	●	●	●	●	●	●	1	糸巻輪(組)	Bobbin Winder Pulley Comp.
9	368019	●	●	●	●	●	●	●	1	糸巻輪リング	Bobbin Winder Pulley Ring(rubber)
10	544203-002	●	●	●	●	●	●	●	2	糸巻輪止メネジ	Bobbin Winder Pulley Set Screw
11	368018	●	●	●	●	●	●	●	1	ボビンワインダーバネ掛け板	Bobbin Winder Spring Retainer Plate
12	544212-001	●	●	●	●	●	●	●	1	ボビンワインダーバネ掛け板止メネジ	Bobbin Winder Spring Retainer Plate Set Screw
13	544865	●	●	●	●	●	●	●	1	ボビンワインダーバネ	Bobbin Winder Spring
14	368020	●	●	●	●	●	●	●	1	糸巻輪台作動板	Bobbin Winder Bracket Actuating Plate
15	368021	●	●	●	●	●	●	●	1	糸巻輪台ヒンジ輪	Bobbin Winder Bracket Hinge Stud
16	543860-005	●	●	●	●	●	●	●	1	糸巻輪台ヒンジ輪止メ輪	Bobbin Winder Bracket Hinge Stud Snap Ring
17	544204-001	●	●	●	●	●	●	●	1	糸巻輪台ヒンジ輪止メネジ	Bobbin Winder Bracket Hinge Stud Set Screw
18	368022	●	●	●	●	●	●	●	1	ボビンワインダーストッパー	Bobbin Winder Stopper
19	544212-001	●	●	●	●	●	●	●	1	ボビンワインダーストッパー止メネジ	Bobbin Winder Stopper Set Screw
20	368023	●	●	●	●	●	●	●	1	ボビンワインダレバー(組)	Bobbin Winder Stop Latch Comp.
21	544204-001	●	●	●	●	●	●	●	1	ボビンワインダレバー止メネジ	Bobbin Winder Stop Latch Set Screw
22	368355	●	●	●	●	●	●	●	1	下糸巻調節板	Bobbin Winder Stop Latch Adjusting Plate
23	544211-001	●	●	●	●	●	●	●	1	下糸巻調節板止メネジ	Bobbin Winder Stop Latch Adjusting Plate Screw
24	368025	●	●	●	●	●	●	●	1	ボビンワインダレバー輪	Bobbin Winder Stop Latch Stud
25	543860-005	●	●	●	●	●	●	●	1	ボビンワインダレバー輪止メ輪	Bobbin Winder Stop Latch Stud Snap Ring
26	546847	●	●	●	●	●	●	●	1	糸巻輪台バネ	Bobbin Winder Bracket Spring
27	368026	●	●	●	●	●	●	●	1	糸巻輪調節器(組)	Bobbin Winder Regulator Comp.
28	544208-005	●	●	●	●	●	●	●	1	糸巻輪調節器止メネジ	Bobbin Winder Regulator Set Screw
29	368028	●	●	●	●	●	●	●	1	ボビン受け	Bobbin Winder Spindle Thread Guard
30	544217-001	●	●	●	●	●	●	●	3	ボビンワインダー止メネジ	Bobbin Winder Screw
31	368029	●	●	●	●	●	●	●	1	ボビンワインダーテンション(組)	Bobbin Winder Tenston Comp.
32	547246	●	●	●	●	●	●	●	1	ボビンワインダーテンションバネ	Bobbin Winder Tenston Spring
33	547247	●	●	●	●	●	●	●	2	ボビンワインダーテンション調子皿	Bobbin Winder Tenston Disc
34	368033	●	●	●	●	●	●	●	1	ボビンワインダーテンションワッシャー	Bobbin Winder Tenston Regulating Thumb Nut
35	544204-001	●	●	●	●	●	●	●	1	ボビンワインダーテンション止メネジ	Bobbin Winder Tenston Set Screw

ARM SHAFT, NEEDLE BAR AND THREAD TAKE-UP LEVER
 上軸, 針棒, 天ビソ



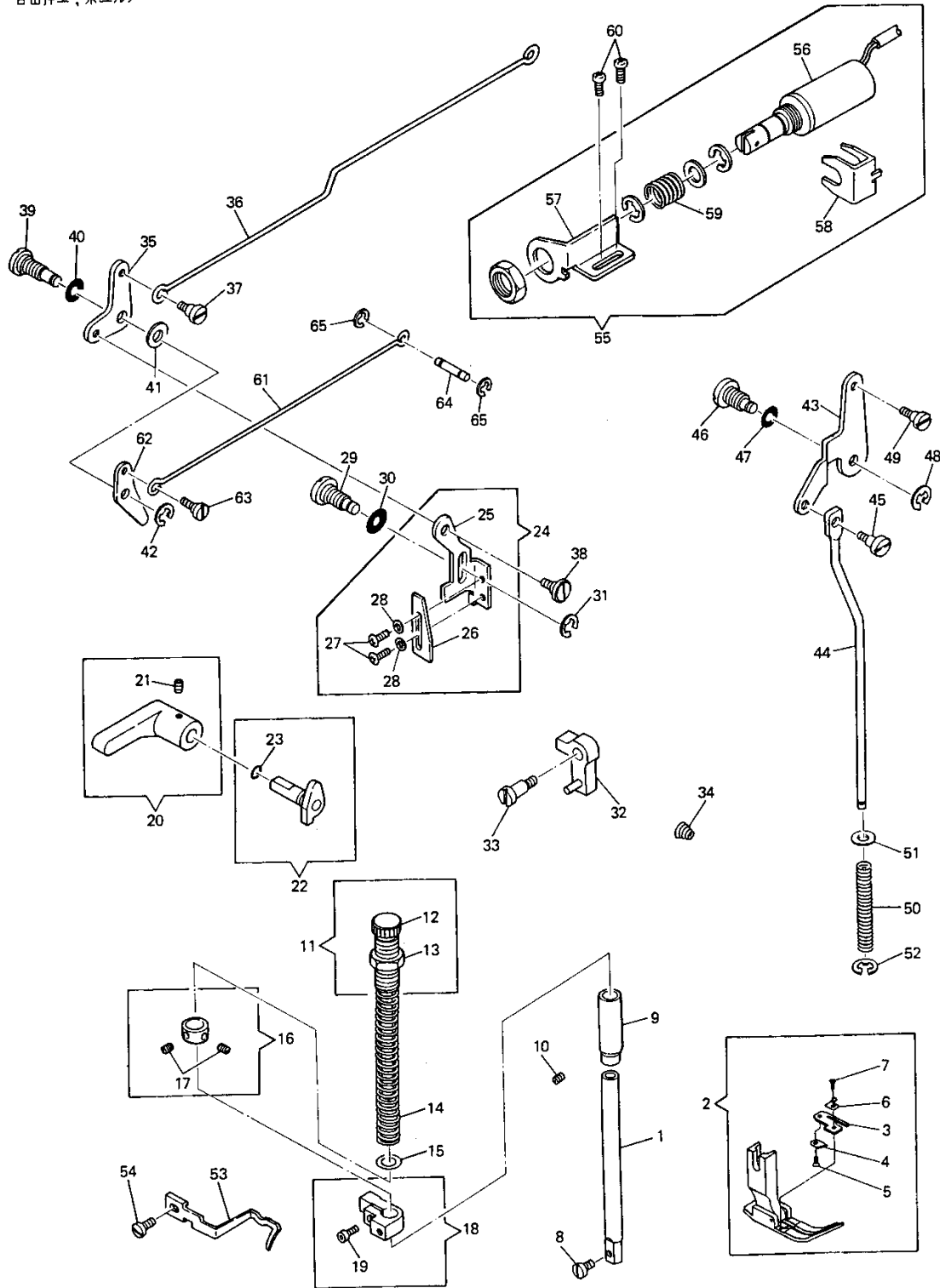
NO.	部品番号 PART NO.	691D10066	691D11066	691D15066	691D21066	691D25066	691D30066	691D31066	691D35066	数量 QTY.	名 称	DESCRIPTION
1	368057	●	●	●	●	●	●	●	●	1	上輪、約合クランク(組)	Arm Shaft(horizontal) and Needle Bar Crank Comp.
2	368058	●	●	●	●	●	●	●	●	1	上輪(組)	Arm Shaft(horizontal) Comp.
3	504095	●	●	●	●	●	●	●	●	1	針繰クランク止メネジ	Thread Take-up Crank Set Screw
4	504117	●	●	●	●	●	●	●	●	1	針繰クランク締メネジ	Thread Take-up Clamping Screw
5	374100	●	●	●	●	●	●	●	●	1	約合クランク止メネジ	Needle Bar Crank Position Screw
6	368060	●	●	●	●	●	●	●	●	1	上輪メタル(後)	Arm Shaft(horizontal) Flanged Bushing(back)
7	504002	●	●	●	●	●	●	●	●	1	上輪メタル(後)止メネジ	Arm Shaft(horizontal) Flanged Bushing (back)Set Screw
8	368061	●	●	●	●	●	●	●	●	1	上輪メタル(後)リング	Arm Shaft(horizontal) Flanged Bushing(back)Ring
9	368062	●	●	●	●	●	●	●	●	1	上輪メタル(後)オイルシール	Arm Shaft(horizontal) Flanged Bushing (back)Oil Seal
10	368357	●	●	●	●	●	●	●	●	1	糸巻キリ駆動部(組)	Bobbin Winder Pulley Driving Wheel Comp.
11	544208-002	●	●	●	●	●	●	●	●	2	糸巻キリ駆動部止メネジ	Bobbin Winder Pulley Driving Wheel Set Screw
12	540608	●	●	●	●	●	●	●	●	1	上輪カラー(組)	Arm Shaft(horizontal) Thrust Collar Comp.
13	154781	●	●	●	●	●	●	●	●	2	上輪カラー止メネジ	Arm Shaft(horizontal) Thrust Collar Set Screw
14	545758	●	●	●	●	●	●	●	●	1	上輪メタル(中)	Arm Shaft(horizontal) Bushing(center)
15	504002	●	●	●	●	●	●	●	●	1	上輪メタル(中)止メネジ	Arm Shaft(horizontal) Bushing(center) Set Screw
16	540720	●	●	●	●	●	●	●	●	1	上輪メタル(前)(組)	Arm Shaft(horizontal) Flanged Bushing(front)Comp.
17	540406	●	●	●	●	●	●	●	●	1	上輪メタル(前)	Arm Shaft(horizontal) Flanged Bushing(front)
18	540722	●	●	●	●	●	●	●	●	1	上輪メタル(前)オイルドレンチューブ巻	Arm Shaft(horizontal) Flanged Bushing (front)Oil Drain Tube Tape
19	504002	●	●	●	●	●	●	●	●	1	上輪メタル(前)止メネジ	Arm Shaft(horizontal) Flanged Bushing (front)Set Screw
20	368408	●	●	●	●	●	●	●	●	1	天ビン、針繰クランクロッド(組)	Thread Take-up Comp.
20	368065	●	●	●	●	●	●	●	●	1	天ビン、針繰クランクロッド(組)	Thread Take-up Comp.
20	368651	●	●	●	●	●	●	●	●	1	天ビン、針繰クランクロッド(組)	Thread Take-up Comp.
21	543369	●	●	●	●	●	●	●	●	1	天ビン支え軸(組)	Thread Take-up Lever Link Hinge Stud Comp.
22	543368	●	●	●	●	●	●	●	●	1	天ビン支え軸	Thread Take-up Lever Link Hinge Stud
23	543370	●	●	●	●	●	●	●	●	1	天ビン支え軸オイルワック	Thread Take-up Lever Link Hinge Stud Oil Wick(cotton)
24	543367	●	●	●	●	●	●	●	●	1	天ビン支え	Thread Take-up Lever Link
25	540676	●	●	●	●	●	●	●	●	1	天ビン(組)	Thread Take-up Lever Comp.
26	52130	●	●	●	●	●	●	●	●	1	天ビン糸道	Thread Take-up Lever Thread Eyelet Bushing
27	368409	●	●	●	●	●	●	●	●	1	針繰クランクロッド、針繰クランク(組)	Thread Take-up Crank and Needle Bar Connecting Link
27	368066	●	●	●	●	●	●	●	●	1	針繰クランクロッド、針繰クランク(組)	Thread Take-up Crank and Needle Bar Connecting Link
27	368652	●	●	●	●	●	●	●	●	1	針繰クランクロッド、針繰クランク(組)	Thread Take-up Crank and Needle Bar Connecting Link
28	540677	●	●	●	●	●	●	●	●	1	針繰クランク	Thread Take-up Crank
28	368067	●	●	●	●	●	●	●	●	1	針繰クランク	Thread Take-up Crank
28	368653	●	●	●	●	●	●	●	●	1	針繰クランク	Thread Take-up Crank
29	504118	●	●	●	●	●	●	●	●	1	針繰クランクロッド左ネジ	Needle Bar Connecting Link Cap Screw
30	368068	●	●	●	●	●	●	●	●	1	針繰クランクロッド(組)	Needle Bar Connecting Link Comp.
31	368069	●	●	●	●	●	●	●	●	1	針繰クランクロッド	Needle Bar Connecting Link
32	540450	●	●	●	●	●	●	●	●	1	針繰軸キ、スライドブロック(組)	Needle Bar Connecting Stud and Slide Block Comp.
33	544881	●	●	●	●	●	●	●	●	1	針繰軸キ(組)	Needle Bar Connecting Stud Comp.
34	549390	●	●	●	●	●	●	●	●	1	針繰軸キ締メネジ	Needle Bar Connecting Stud Clamping Screw
35	143058	●	●	●	●	●	●	●	●	1	針繰軸キスライドブロック	Needle Bar Connecting Stud Slide Block
36	540652	●	●	●	●	●	●	●	●	1	針繰クランクロッドローラーベアリング	Needle Bar Connecting Link Roller Bearing
37	540652	●	●	●	●	●	●	●	●	1	天ビンローラーベアリング	Thread Take-up Lever Roller Bearing
38	504002	●	●	●	●	●	●	●	●	1	天ビン支え軸止メネジ	Thread Take-up Lever Link Hinge Stud Set Screw
39	540476	●	●	●	●	●	●	●	●	1	針繰クランク皿金	Thread Take-up Crank Wearing Plate
40	368070	●	●	●	●	●	●	●	●	1	天ビンオイルガード(組)	Thread Take-up Lever Oil Guard Comp.
41	545909	●	●	●	●	●	●	●	●	1	天ビンオイルガードオイルワック	Thread Take-up Lever Oil Guard Wick(cotton)
42	540721	●	●	●	●	●	●	●	●	1	天ビンオイルガードゴム板	Thread Take-up Lever Oil Guard Rubber Shield
43	504010-451	●	●	●	●	●	●	●	●	1	天ビンオイルガード止メネジ	Thread Take-up Lever Oil Guard Set Screw
44	N1515-01-#10	●	●	●	●	●	●	●	●	1	針(16X95#10)(国内)	Needle(16X95#10)(DOM)
44	N1955-01-#14	●	●	●	●	●	●	●	●	1	針(135X65#14)(輸出)	Needle(135X65#14)(EXP)
44	N1515-01-#14	●	●	●	●	●	●	●	●	1	針(16X95#14)(国内)	Needle(16X95#14)(DOM)
44	N1955-01-#16	●	●	●	●	●	●	●	●	1	針(135X65#16)(輸出)	Needle(135X65#16)(EXP)
45	540659	●	●	●	●	●	●	●	●	1	針繰(組)(国内)	Needle Bar(hollow)Comp.(DOM)
45	540702	●	●	●	●	●	●	●	●	1	針繰(組)(輸出)	Needle Bar(hollow)Comp.(EXP)
45	368654	●	●	●	●	●	●	●	●	1	針繰(組)(国内)	Needle Bar(hollow)Comp.(DOM)
45	368656	●	●	●	●	●	●	●	●	1	針繰(組)(輸出)	Needle Bar(hollow)Comp.(EXP)
46	504112	●	●	●	●	●	●	●	●	1	針止メネジ	Needle Set Screw
46	223	●	●	●	●	●	●	●	●	1	針止メネジ	Needle Set Screw
47	375571	●	●	●	●	●	●	●	●	1	針繰糸巻ケ	Needle Bar Thread Guard
47	368658	●	●	●	●	●	●	●	●	1	針繰糸巻ケ	Needle Bar Thread Guard
48	545841	●	●	●	●	●	●	●	●	1	針繰メタル(上)	Needle Bar Bushing(upper)
49	504129	●	●	●	●	●	●	●	●	1	針繰メタル(上)止メネジ	Needle Bar Bushing(upper)Set Screw
50	540703	●	●	●	●	●	●	●	●	1	針繰メタル(上)フェルト	Needle Bar Bushing(upper)Felt
51	368445	●	●	●	●	●	●	●	●	1	針繰メタル(下)(組)	Needle Bar Bushing(lower)Comp.
51	368494	●	●	●	●	●	●	●	●	1	針繰メタル(下)(組)	Needle Bar Bushing(lower)Comp.
52	540524	●	●	●	●	●	●	●	●	1	針繰メタル(下)	Needle Bar Bushing(lower)Comp.
52	540525	●	●	●	●	●	●	●	●	1	針繰メタル(下)	Needle Bar Bushing(lower)Comp.
53	368446	●	●	●	●	●	●	●	●	1	針繰メタル(下)糸巻ケ	Needle Bar Bushing(lower)Thread Eyelet
53	368495	●	●	●	●	●	●	●	●	1	針繰メタル(下)糸巻ケ	Needle Bar Bushing(lower)Thread Eyelet
54	504129	●	●	●	●	●	●	●	●	1	針繰メタル(下)止メネジ	Needle Bar Bushing(lower)Set Screw
55	540528	●	●	●	●	●	●	●	●	1	針繰メタル(下)フェルト	Needle Bar Bushing(lower)Felt
56	543365	●	●	●	●	●	●	●	●	1	天ビンオイルワック支え(組)	Oil Wick Holder Comp.
56	543366	●	●	●	●	●	●	●	●	1	天ビンオイルワック支え(組)	Oil Wick Holder Comp.
57	543363	●	●	●	●	●	●	●	●	1	天ビンオイルワック支え、天ビンオイルワック支えパイプ(組)	Oil Wick Holder and Pipe
57	543364	●	●	●	●	●	●	●	●	1	天ビンオイルワック支え、天ビンオイルワック支えパイプ(組)	Oil Wick Holder and Pipe
58	545909	●	●	●	●	●	●	●	●	2	天ビンオイルワック	Oil Wick(cotton)
59	545051	●	●	●	●	●	●	●	●	1	天ビンオイルワック支え止メネジ	Oil Wick Holder Screw

Domestic
Japan
Export

From the library of: Diamond Needle Corp

PRESSER BAR, PRESSER FOOT AND TENSION RELEASING

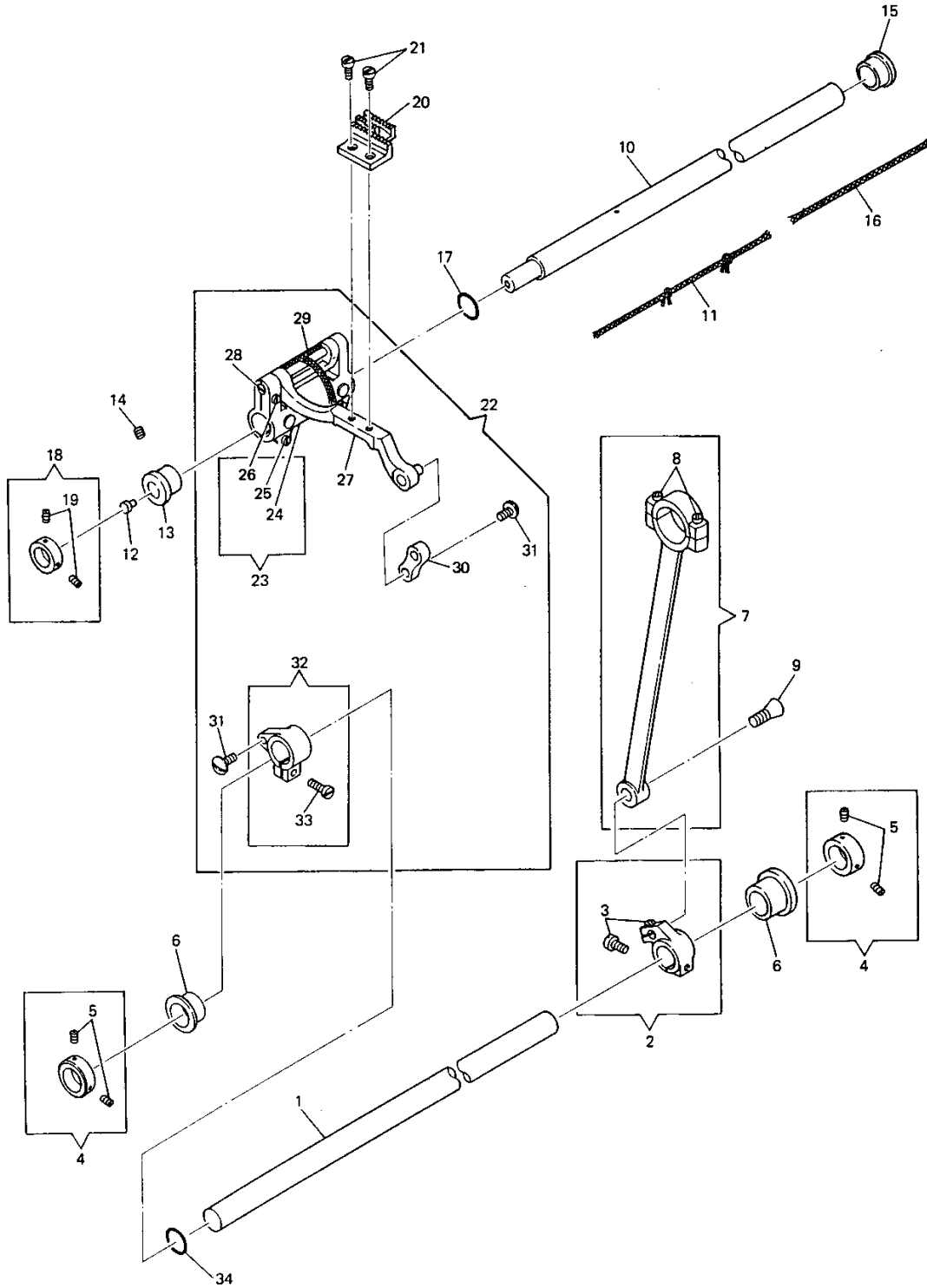
自由押工、糸ユルメ



NO.	部品番号 PART NO.	691D100GG 691D110GG 691D200GG 691D210GG 691D300GG 691D310GG 691D350GG					数量 QTY.	名 称	DESCRIPTION
1	545864						1	押工棒	Presser Bar(hollow)
2	543059						1	自由押工(組)(国内)	Presser Foot(spring hinged)Comp.(DOM)
3	505643						1	自由押工(組)(輸出)	Presser Foot(spring hinged)Comp.(EXP)
4	543419						1	自由押工(組)(国内)	Presser Foot(spring hinged)Comp.(DOM)
5	543419						1	自由押工(組)	Presser Foot(spring hinged)Comp.
6	368607						1	自由押工(組)	Presser Foot(spring hinged)Ass'y
7	368611						1	自由押工(組)(国内)	Presser Foot(spring hinged)Ass'y(DOM)
8	368607						1	自由押工(組)(輸出)	Presser Foot(spring hinged)Ass'y(EXP)
9	368611						1	自由押工(組)	Presser Foot(spring hinged)Ass'y
10	368610						1	ナイフ取付板	Presser Foot Fixed Knife Retaining Plate
11	368619						1	自由押工固定ナイフ	Presser Foot Fixed Knife
12	368479-001						1	自由押工固定ナイフ止めネジ	Presser Foot Fixed Knife Screw
13	368326						1	押工棒分岐板	Presser Foot Thread Guide
14	368479-003						1	押工棒分岐板止めネジ	Presser Foot Thread Guide Screw
15	504063-451						1	自由押工止めネジ	Presser Foot Screw
16	505649						1	押工棒メタル	Presser Bar Bushing(lower)
17	504129						1	押工棒メタル止めネジ	Presser Bar Bushing(lower)Set Screw
18	368382						1	押工調節ネジ(組)	Presser Bar Guide and Presser Regulating Thumb Screw and Lock Nut
19	368383						1	押工調節ネジ	Presser Bar Guide and Presser Regulating Thumb Screw
20	545403						1	押工調節ネジロックナット	Presser Bar Guide and Presser Regulating Thumb Screw Lock Nut
21	505575						1	押工棒パネ	Presser Bar Spring
22	11170						1	押工棒パネ底金	Presser Bar Spring Washer
23	414096						1	押工棒カラー(組)	Presser Bar Collar Comp.
24	544207-011						2	押工棒カラー止めネジ	Presser Bar Collar Screw
25	368072						1	押工棒軸(組)	Presser Bar Guide Bracket Comp.
26	545099						1	押工棒軸ナット	Presser Bar Guide Bracket Clamping and Tension Releaser Screw
27	368074						1	押工棒上(組)	Presser Bar Lifter Comp.
28	544208-002						1	押工棒上止めネジ	Presser Bar Lifter Set Screw
29	368076						1	押工棒上カム(組)	Presser Bar Lifter Cam Comp.
30	368659						1	押工棒上カム(組)	Presser Bar Lifter Cam Comp.
31	418041						1	押工棒上カム軸リング	Presser Bar Lifter Cam Shaft O-ring
32	368464						1	押工棒引上げ板(組)	Presser Bar Lifter Plate Comp.
33	368465						1	押工棒引上げ板	Presser Bar Lifter Plate
34	368466						1	ネジ用メタル板	Tension Release Action Plate
35	544216-052						2	ネジ用メタル板止めネジ	Tension Release Action Plate Screw
36	543803-002						2	ネジ用メタル板止めネジ底金	Tension Release Action Plate Screw Washer
37	368081						1	押工棒引上げ板ネジ	Presser Bar Lifter Plate Screw
38	543871-008						1	押工棒引上げ板ネジリング	Presser Bar Lifter Plate Screw O-ring
39	543801-006						1	押工棒引上げ板ネジ止め輪	Presser Bar Lifter Plate Screw Snap Ring
40	368083						1	ネジ用メタル板	Tension Releasing Arm Comp.
41	544146						1	ネジ用メタル板ネジ	Tension Releasing Arm Hinge Screw
42	505152						1	ネジ用メタル板	Tension Releasing Arm Spring
43	368087						1	押工棒上(組)	Presser Bar Lifter Arm
44	368088						1	膝上(組)	Bell Crank Connecting Rod(pull)
45	368089						1	膝上(組)引ネジ(前)	Bell Crank Connecting Rod(pull) Stud Screw(front)
46	368089						1	押工棒引上げ板ネジ	Presser Bar Lifter Stud Screw
47	368090						1	押工棒引上げ板ネジ	Presser Bar Lifter Hinge Screw
48	543871-008						1	押工棒引上げ板ネジリング	Presser Bar Lifter Hinge Screw O-ring
49	543803-005						1	押工棒引上げ板ネジ底金	Presser Bar Lifter Hinge Screw Washer
50	543801-006						1	押工棒引上げ板ネジ止め輪	Presser Bar Lifter Hinge Screw Snap Ring
51	368092						1	膝上(組)	Bell Crank Connecting Arm
52	368093						1	膝上(組)引ネジ	Bell Crank Connecting Rod(push)
53	368094						1	膝上(組)引ネジ	Bell Crank Connecting Rod(push) Stud Screw
54	368095						1	膝上(組)引ネジ	Bell Crank Connecting Arm Hinge Screw
55	543871-008						1	膝上(組)引ネジリング	Bell Crank Connecting Arm Hinge Screw O-ring
56	543801-006						1	膝上(組)引ネジ止め輪	Bell Crank Connecting Arm Hinge Screw Snap Ring
57	368089						1	膝上(組)引ネジ(後)	Bell Crank Connecting Rod(pull) Stud Screw(back)
58	368096						1	膝上(組)引ネジ	Bell Crank Connecting Rod Spring
59	543803-005						1	膝上(組)引ネジ底金	Bell Crank Connecting Rod Spring Washer
60	543860-004						1	膝上(組)引ネジ止め輪	Bell Crank Connecting Rod Spring Snap Ring
61	368097						1	ネジ用メタル板	Stack Thread Regulator
62	368662						1	ネジ用メタル板	Stack Thread Regulator
63	504010-451						1	ネジ用メタル板止めネジ	Stack Thread Regulator Screw
64	368211						1	ネジ用メタル板(組)	Tension Releasing Solenoid Bracket Comp.
65	369002-001						1	ネジ用メタル板(組)	Tension Releasing Solenoid Comp.
66	368212						1	ネジ用メタル板ブラケット	Tension Releasing Solenoid Bracket
67	368213						1	ネジ用メタル板ストッパー	Tension Releasing Solenoid Stopper
68	368214						1	ネジ用メタル板ストッパー	Tension Releasing Solenoid Spring
69	544212-002						2	ネジ用メタル板ブラケット止めネジ	Tension Releasing Solenoid Bracket Screw
70	368216						1	ネジ用メタル板	Tension Release Connecting Rod
71	368217						1	ネジ用メタル板	Tension Release Lever
72	544060						1	ネジ用メタル板ネジ	Tension Release Lever Stud Screw
73	368285						1	ネジ用メタル板ピン	Tension Releasing Solenoid Pin
74	543801-002						2	ネジ用メタル板ピン止め輪	Tension Releasing Solenoid Pin Snap Ring

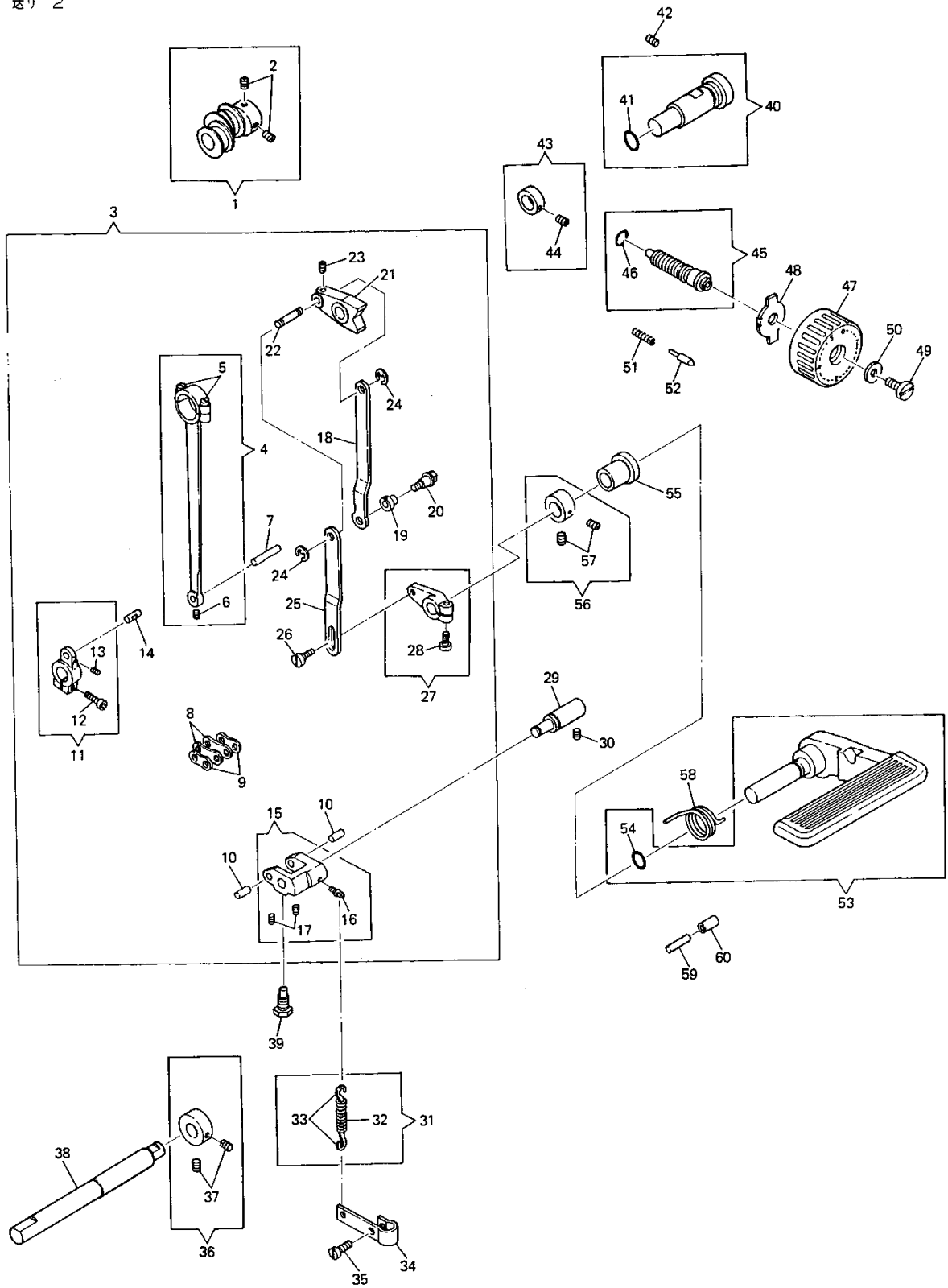
From the library of: Diamond Needle Corp

FEED MECHANISM I
送り 1



NO.	部品番号 PART NO.	691D10065 691D11065 691D15065 691D20065 691D21065 691D30065 691D31065 691D35065						数量 QTY.	名 称	DESCRIPTION
		691D10065	691D11065	691D15065	691D20065	691D21065	691D30065			
1	544933	●	●	●	●	●	●	1	上下送り軸	Feed Lifting Rock Shaft
2	545807	●	●	●	●	●	●	1	上下送り軸(後)(組)	Feed Lifting Rock Shaft Crank(back)Comp.
3	549183	●	●	●	●	●	●	2	上下送り軸(後)締メネジ	Feed Lifting Rock Shaft Crank(back)Clamping Screw
4	545806	●	●	●	●	●	●	2	上下送り軸カラー(組)	Feed Lifting Rock Shaft Collar Comp.
5	504007	●	●	●	●	●	●	4	上下送り軸カラー止メネジ	Feed Lifting Rock Shaft Collar Set Screw
6	545949	●	●	●	●	●	●	2	上下送り軸メタル	Feed Lifting Rock Shaft Flanged Bushing
7	545812	●	●	●	●	●	●	1	上下送り軸クランクロッド(組)	Feed Lifting Rock Shaft Crank(back)Connecting Rod Comp.
8	545059	●	●	●	●	●	●	2	上下送り軸クランクロッド蓋締メネジ	Feed Lifting Rock Shaft Crank(back)Connecting Rod Cap Screw
9	545799	●	●	●	●	●	●	1	上下送り軸クランクロッドヒンジスタッド	Feed Lifting Rock Shaft Crank(back)Connecting Rod Hinge Stud
10	368450	●	●	●	●	●	●	1	水平送り軸	Feed Rock Shaft
11	375022	●	●	●	●	●	●	1	水平送り軸オイルウイック(組)	Feed Rock Shaft Oil Wick(cotton) Comp.
12	502987	●	●	●	●	●	●	1	水平送り軸油穴止メ栓	Feed Rock Shaft Oil Plug
13	545836	●	●	●	●	●	●	1	水平送り軸メタル(前)	Feed Rock Shaft Flanged Bushing(front)
14	504094	●	●	●	●	●	●	1	水平送り軸メタル(前)止メネジ	Feed Rock Shaft Flanged Bushing(front)Set Screw
15	545949	●	●	●	●	●	●	1	水平送り軸メタル(後)	Feed Rock Shaft Flanged Bushing(back)
16	375021	●	●	●	●	●	●	1	水平送り軸オイルウイック(外)	Feed Rock Shaft Oil Wick(outer)(cotton)
17	416000	●	●	●	●	●	●	2	水平送り軸Oリング	Feed Rock Shaft O-ring
18	545837	●	●	●	●	●	●	1	水平送り軸カラー(組)	Feed Rock Shaft Collar Comp.
19	504007	●	●	●	●	●	●	2	水平送り軸カラー止メネジ	Feed Rock Shaft Collar Set Screw
20	368064	●	●	●	●	●	●	1	送り(組内)	Feed Dog (DOM)
20	414463	●	●	●	●	●	●	1	送り(組出)	Feed Dog (EXP)
20	368314	●	●	●	●	●	●	1	送り(組内)	Feed Dog (DOM)
20	12481	●	●	●	●	●	●	1	送り	Feed Dog
21	504051	●	●	●	●	●	●	2	送り締メネジ	Feed Dog Screw
22	376334	●	●	●	●	●	●	1	送り合(組)	Feed Bar Comp.
23	376335	●	●	●	●	●	●	1	送り合キャリア(組)	Feed Bar Carrier Comp.
24	376336	●	●	●	●	●	●	1	送り合キャリア	Feed Bar Carrier
25	549028	●	●	●	●	●	●	1	送り合キャリア締メネジ	Feed Bar Carrier Clamping Screw
26	544207-013	●	●	●	●	●	●	2	送り合ヒンジピン締メネジ	Feed Bar Hinge Pin Clamping Screw
27	545987	●	●	●	●	●	●	1	送り合	Feed Bar
28	545791	●	●	●	●	●	●	1	送り合ヒンジピン	Feed Bar Hinge Pin
29	540538	●	●	●	●	●	●	1	送り合キャリアオイルウイックフェルト	Feed Bar Carrier Oil Wick(felt)
30	376268	●	●	●	●	●	●	1	上下送り軸リンク	Feed Bar Connecting Link
31	504103	●	●	●	●	●	●	2	上下送り軸リンク止メネジ	Feed Bar Connecting Link Cap Screw
32	545808	●	●	●	●	●	●	1	上下送り軸(前)(組)	Feed Lifting Rock Shaft Crank(front)Comp.
33	545043	●	●	●	●	●	●	1	上下送り軸(前)締メネジ	Feed Lifting Rock Shaft Crank(front)Clamping Screw
34	416000	●	●	●	●	●	●	2	上下送り軸Oリング	Feed Lifting Rock Shaft O-ring

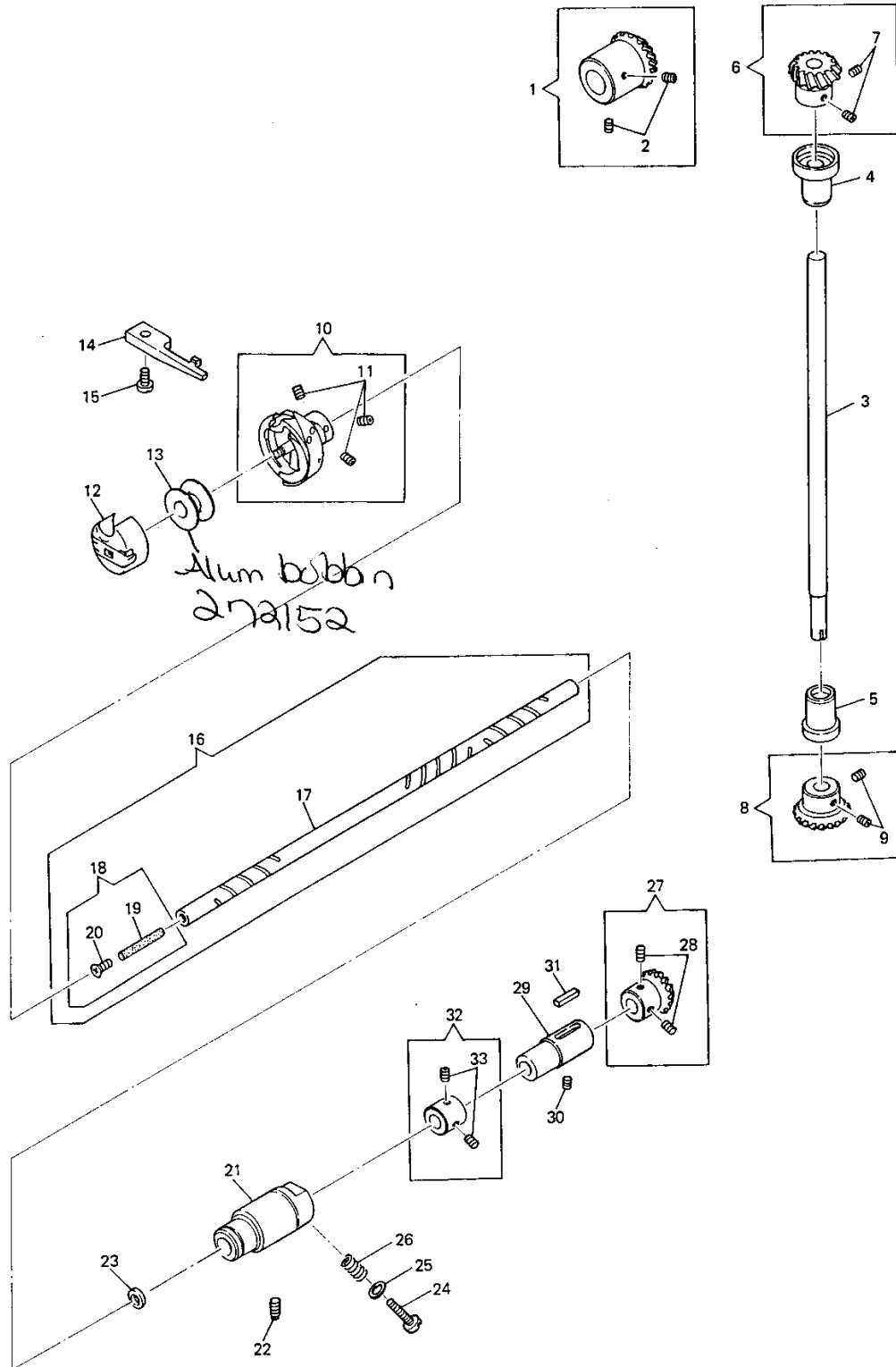
FEED MECHANISM 2
送り 2



NO.	部 品 番 号 PART NO.	品 番						名 称	DESCRIPTION
		691D10035	691D11035	691D15035	691D20035	691D21035	691D30035		
1	410729	•	•	•	•	•	•	送りカム(組)	Feed and Feed Lifting Eccentric Comp.
2	545313	•	•	•	•	•	•	送りカム止めネジ	Feed and Feed Lifting Eccentric Set Screw
3	368100	•	•	•	•	•	•	水平送りクランクロッド, 送り調節台, 送り調節器, 送りカムイレバー(組)	Feed Regulator and Feed Shaft Crank Connecting Rod Comp.
4	540648	•	•	•	•	•	•	水平送りクランクロッド(組)	Feed Rock Shaft Crank Connecting Rod Comp.
5	545059	•	•	•	•	•	•	水平送りクランクロッド蓋ねじ	Feed Rock Shaft Crank Connecting Rod Cap Screw
6	545181	•	•	•	•	•	•	送り調節台リンク軸止めネジ	Feed Rock Shaft Crank Connecting Rod Pin Set Screw
7	540649	•	•	•	•	•	•	送り調節台リンク軸	Feed Rock Shaft Crank Connecting Rod Pin
8	368107	•	•	•	•	•	•	送り調節台リンク(大)	Feed Rock Shaft Driving Link(Large)
9	540656	•	•	•	•	•	•	送り調節台リンク(小)	Feed Rock Shaft Driving Link(small)
10	540657	•	•	•	•	•	•	送り調節台ピン	Feed Rock Shaft Driving Link(small)Pin
11	543404	•	•	•	•	•	•	水平送り脚(組)	Feed Rock Shaft Crank Comp.
12	549183	•	•	•	•	•	•	水平送り調節ねじ	Feed Rock Shaft Crank Clamping Screw
13	545181	•	•	•	•	•	•	水平送り調節軸止めネジ	Feed Rock Shaft Crank Pin Set Screw
14	540650	•	•	•	•	•	•	水平送り調節	Feed Rock Shaft Crank Pin
15	368101	•	•	•	•	•	•	送り調節台(組)	Feed Rock Shaft Driving Frame Comp.
16	544138	•	•	•	•	•	•	送り調節台バネ掛けネジ	Feed Rock Shaft Driving Frame Spring Eyelet Screw
17	545072	•	•	•	•	•	•	送り調節台ピン止めネジ	Feed Rock Shaft Driving Link(small)Pin Set Screw
18	368104	•	•	•	•	•	•	送り調節台リンク	Feed Reverse Link
19	368103	•	•	•	•	•	•	送り調節台偏心カラー	Feed Rock Shaft Driving Frame Eccentric Collar
20	368105	•	•	•	•	•	•	送り調節台偏心カラーネジ	Feed Rock Shaft Driving Frame Eccentric Collar Screw
21	368106	•	•	•	•	•	•	送り調節器	Feed Regulator
22	368109	•	•	•	•	•	•	送り調節器ピン	Feed Regulator Pin
23	544204-002	•	•	•	•	•	•	送り調節器ピン止めネジ	Feed Regulator Pin Set Screw
24	543801-006	•	•	•	•	•	•	送り調節器ピン止め輪	Feed Regulator Pin Snap Ring
25	368110	•	•	•	•	•	•	送り調節台ピン止めネジ	Feed Reverse Lever Hinge Stud Crank Connecting Link
26	549288	•	•	•	•	•	•	送り調節台ピン止めネジ	Feed Reverse Lever Hinge Stud Crank Connecting Link Screw
27	368111	•	•	•	•	•	•	送り調節台ピン止めネジ	Feed Reverse Lever Hinge Stud Crank Comp. Clamping Screw
28	414737	•	•	•	•	•	•	送り調節台ピン止めネジ	Feed Reverse Lever Hinge Stud Crank Comp. Clamping Screw
29	368113	•	•	•	•	•	•	送り調節台支え輪	Feed Rock Shaft Driving Frame Hinge Pin
30	504029	•	•	•	•	•	•	送り調節台支え輪止めネジ	Feed Rock Shaft Driving Frame Hinge Pin Set Screw
31	410701	•	•	•	•	•	•	送り調節台バネ(組)	Feed Rock Shaft Driving Frame Spring Comp.
32	410702	•	•	•	•	•	•	送り調節台バネ	Feed Rock Shaft Driving Frame Spring
33	410703	•	•	•	•	•	•	送り調節台バネ掛け	Feed Rock Shaft Driving Frame Spring Eyelet
34	410747	•	•	•	•	•	•	送り調節台バネ支え	Feed Rock Shaft Driving Frame Spring Retainer
35	545183	•	•	•	•	•	•	送り調節台バネ支え輪止めネジ	Feed Rock Shaft Driving Frame Spring Retainer Screw
36	368115	•	•	•	•	•	•	送り調節台作動軸カラー(組)	Feed Rock Shaft Driving Frame Actuating Shaft Collar Comp.
37	544207-002	•	•	•	•	•	•	送り調節台作動軸カラー止めネジ	Feed Rock Shaft Driving Frame Actuating Shaft Collar Set Screw
38	368117	•	•	•	•	•	•	送り調節台作動軸	Feed Rock Shaft Driving Frame Actuating Shaft
39	368108	•	•	•	•	•	•	送り調節台作動軸止めネジ	Feed Rock Shaft Driving Frame Actuating Shaft Set Screw
40	368118	•	•	•	•	•	•	送り調節器送輪(組)	Feed Regulator Hinge Stud Comp.
41	544923	•	•	•	•	•	•	送り調節器送輪リング	Feed Regulator Hinge Stud O-ring
42	545313	•	•	•	•	•	•	送り調節器送輪止めネジ	Feed Regulator Hinge Stud Set Screw
43	368120	•	•	•	•	•	•	送り調節器送輪カラー(組)	Feed Regulator Hinge Stud Collar Comp.
44	545181	•	•	•	•	•	•	送り調節器送輪カラー止めネジ	Feed Regulator Hinge Stud Collar Set Screw
45	368422	•	•	•	•	•	•	送り調節器ネジ(組)	Feed Regulating Stud Comp.
46	545817	•	•	•	•	•	•	送り調節器ネジ	Feed Regulating Stud O-ring
47	368123-001	•	•	•	•	•	•	送り調節器ダイヤル(グラフィック付)	Feed Regulating Dial(with graphic)
48	544947	•	•	•	•	•	•	送り調節器ダイヤル溝板	Feed Regulating Dial Serration Plate
49	368362	•	•	•	•	•	•	送り調節器ダイヤル止めネジ	Feed Regulating Dial Cap Screw
50	368363	•	•	•	•	•	•	送り調節器ダイヤル止めネジ蓋金	Feed Regulating Dial Cap Screw Washer
51	545820	•	•	•	•	•	•	送り調節器ダイヤルロックピン	Feed Regulating Dial Lock Pin Spring
52	368114	•	•	•	•	•	•	送り調節器ダイヤルロックピン	Feed Regulating Dial Lock Pin
53	368125	•	•	•	•	•	•	送り調節器ダイヤル	Feed Reverse Lever Comp.
54	545825	•	•	•	•	•	•	送り調節器ダイヤルリング	Feed Reverse Lever Hinge Stud O-ring
55	368129	•	•	•	•	•	•	送り調節器ダイヤルメタル	Feed Reverse Lever Hinge Stud Flanged Bushing
56	540633	•	•	•	•	•	•	送り調節器ダイヤルカラー(組)	Feed Reverse Lever Hinge Stud Collar Comp.
57	504134	•	•	•	•	•	•	送り調節器ダイヤルカラー止めネジ	Feed Reverse Lever Hinge Stud Collar Set Screw
58	368130	•	•	•	•	•	•	送り調節器ダイヤル	Feed Reverse Lever Spring
59	375653	•	•	•	•	•	•	送り調節器ダイヤルピン	Feed Reverse Lever Stopper Pin
60	375662	•	•	•	•	•	•	送り調節器ダイヤルピンカバー	Feed Reverse Lever Stopper Pin Cover

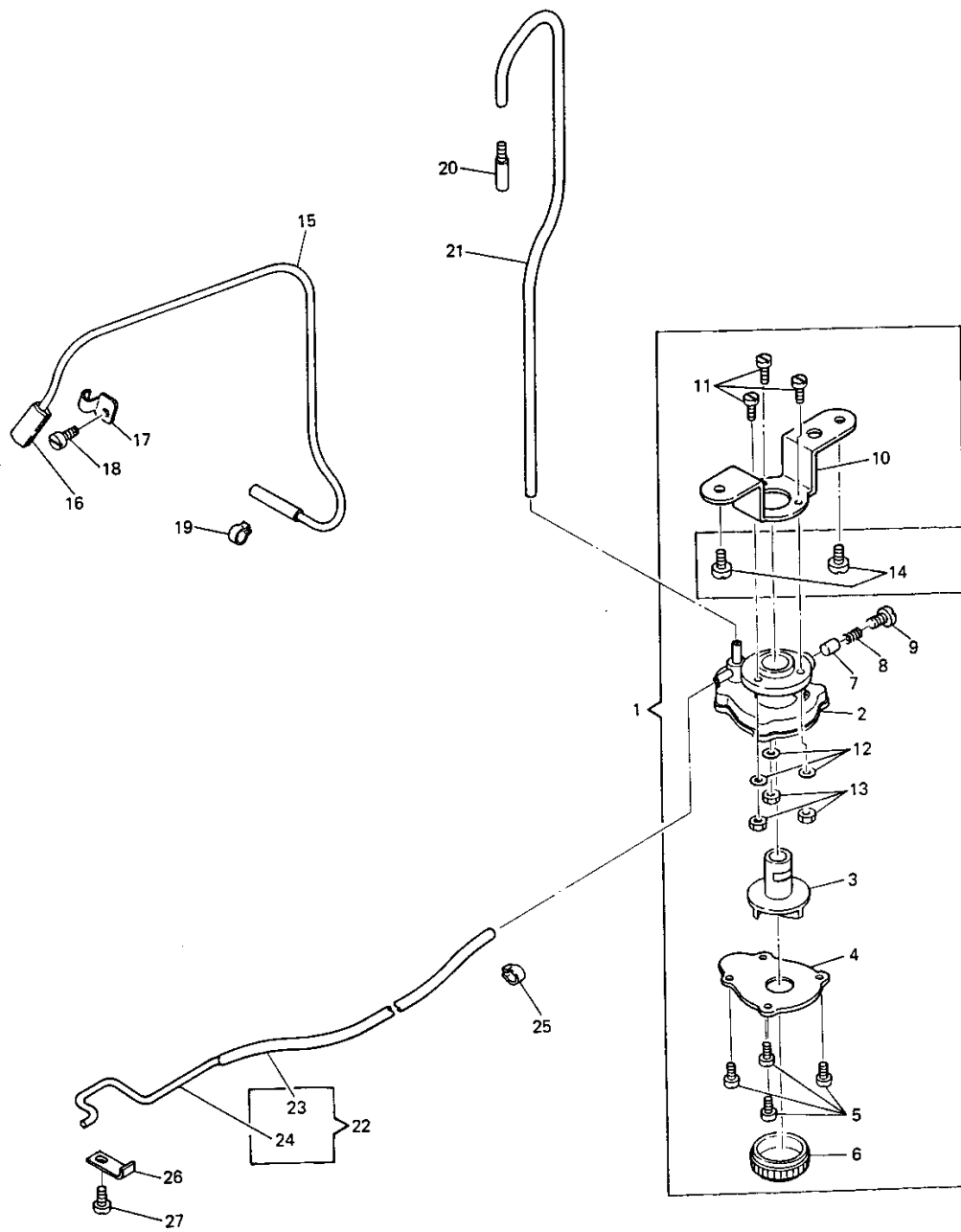
From the library of: Diamond Needle Corp

UPRIGHT SHAFT AND ROTATING HOOK SHAFT
 竖轴, 下轴



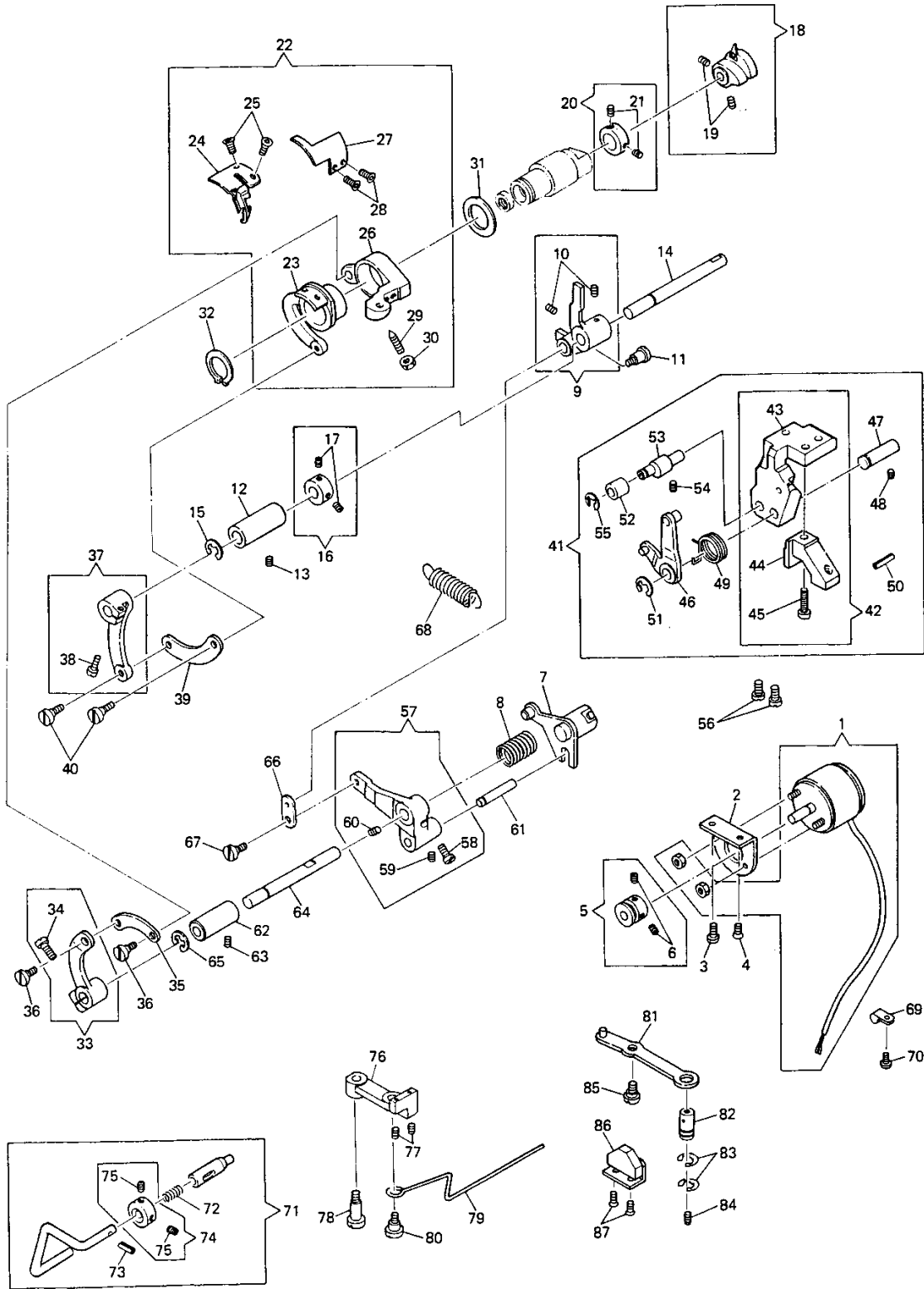
NO.	部 品 番 号 PART NO.	691D10066	691D11066	691D15066	691D20066	691D21066	691D25066	691D30066	691D31066	691D35066	数量 QTY.	名 称	DESCRIPTION
1	545757	●	●	●	●	●	●	●	●	●	1	上軸歯車(組)	Arm Shaft(horizontal)Bevel Gear Comp.
2	504066	●	●	●	●	●	●	●	●	●	2	上軸歯車止めネジ	Arm Shaft(horizontal)Bevel Gear Set Screw
3	368131	●	●	●	●	●	●	●	●	●	1	要物	Arm Shaft(uptight)
4	545767	●	●	●	●	●	●	●	●	●	1	要物メタル(上)	Arm Shaft(uptight) Bushing(upper)
5	545766	●	●	●	●	●	●	●	●	●	1	要物メタル(下)	Arm Shaft(uptight) Bushing(lower)
6	545765	●	●	●	●	●	●	●	●	●	1	要物歯車(上)(組)	Arm Shaft(uptight) Bevel Gear(upper)Comp.
7	504101	●	●	●	●	●	●	●	●	●	2	要物歯車(上)止めネジ	Arm Shaft(uptight) Bevel Gear(upper)Set Screw
8	545764	●	●	●	●	●	●	●	●	●	1	要物歯車(下)(組)	Arm Shaft(uptight) Bevel Gear(lower)Comp.
9	504101	●	●	●	●	●	●	●	●	●	2	要物歯車(下)止めネジ	Arm Shaft(uptight) Bevel Gear(lower)Set Screw
10	368132	●	●	●	●	●	●	●	●	●	1	外ガマ, 中ガマ(組)	Rotating Hook and Rotating Hook Bobbin Case Holder Comp.
10	368663	●	●	●	●	●	●	●	●	●	1	外ガマ, 中ガマ(組)	Rotating Hook and Rotating Hook Bobbin Case Holder Comp.
11	544244	●	●	●	●	●	●	●	●	●	3	外ガマ止めネジ	Rotating Hook Screw
12	540735	●	●	●	●	●	●	●	●	●	1	ボビンケース(組)	Rotating Hook Bobbin Case Comp.
13	55623	●	●	●	●	●	●	●	●	●	1	ボビン	Rotating Hook Bobbin
14	414239	●	●	●	●	●	●	●	●	●	1	中ガマ止め	Rotating Hook Bobbin Case Holder Position Bracket
15	504084	●	●	●	●	●	●	●	●	●	1	中ガマ止めネジ	Rotating Hook Bobbin Case Holder Position Bracket Screw
16	368384	●	●	●	●	●	●	●	●	●	1	下軸(組)	Rotating Hook Shaft Comp.
17	368385	●	●	●	●	●	●	●	●	●	1	下軸	Rotating Hook Shaft
18	505648	●	●	●	●	●	●	●	●	●	1	下軸オイルフィルター(組)	Rotating Hook Shaft Oil Filter Comp.
19	143042	●	●	●	●	●	●	●	●	●	1	下軸オイルフィルターウィック	Rotating Hook Shaft Oil Filter Wick(felt)
20	505647	●	●	●	●	●	●	●	●	●	1	下軸耐久止めネジ	Rotating Hook Shaft Oil Filter Wick Holder
21	368133	●	●	●	●	●	●	●	●	●	1	下軸メタル(前)	Rotating Hook Shaft Bushing(front)
22	504002	●	●	●	●	●	●	●	●	●	1	下軸メタル(前)止めネジ	Rotating Hook Shaft Bushing(front)Set Screw
23	368167	●	●	●	●	●	●	●	●	●	1	下軸メタル(前)オイルシール	Rotating Hook Shaft Bushing(front)Oil Seal
24	368134	●	●	●	●	●	●	●	●	●	1	油室調節ネジ	Rotating Hook Oil Flow Regulating Thumb Screw
25	543803-003	●	●	●	●	●	●	●	●	●	1	油室調節ネジ座金	Rotating Hook Oil Flow Regulating Thumb Screw Washer
26	368696	●	●	●	●	●	●	●	●	●	1	油室調節ネジスプリング	Rotating Hook Oil Flow Regulating Thumb Screw Spring
27	545887	●	●	●	●	●	●	●	●	●	1	下軸歯車(組)	Rotating Hook Shaft Bevel Gear(left hand spiral)Comp.
28	504101	●	●	●	●	●	●	●	●	●	2	下軸歯車止めネジ	Rotating Hook Shaft Bevel Gear Set Screw
29	544956	●	●	●	●	●	●	●	●	●	1	下軸メタル(後)	Rotating Hook Shaft Bushing(back)
30	504002	●	●	●	●	●	●	●	●	●	1	下軸メタル(後)止めネジ	Rotating Hook Shaft Bushing(back)Set Screw
31	544957	●	●	●	●	●	●	●	●	●	1	下軸メタル(後)フェルト	Rotating Hook Shaft Bushing(back)Oil Felt
32	368386	●	●	●	●	●	●	●	●	●	1	下軸カラー(組)	Rotating Hook Shaft Oil Retaining Collar Comp.
33	504102	●	●	●	●	●	●	●	●	●	2	下軸カラ止メネジ	Rotating Hook Shaft Oil Retaining Collar Set Screw

LUBRICATING MECHANISM
給油、還流



NO.	部品番号 PART NO.	691D10066 691D11066 691D20066 691D21066 691D30066 691D31066					数量 QTY.	名 称	DESCRIPTION
1	368135	1	オイルポンプ(組)	Oil Pump(centrifugal)Comp.
2	544968	1	オイルポンプ(体)	Oil Pump(centrifugal)
3	544969	1	インペラー	Oil Pump(centrifugal)Impeller
4	544970	1	オイルポンプ蓋	Oil Pump(centrifugal)Cover
5	544248	4	オイルポンプ蓋止めネジ	Oil Pump(centrifugal)Cover Screw
6	544971	1	オイルポンプスクリーン	Oil Pump(centrifugal)Screen
7	544972	1	選流ピストン	Oil Removing Piston
8	410710	1	選流ピストンバネ	Oil Removing Piston Spring
9	544315	1	選流ピストンバネ押エネジ(組)	Oil Removing Piston Spring Screw Comp.
10	368136	1	オイルポンプブラケット	Oil Pump(centrifugal)Bracket
11	544211-004	3	オイルポンプブラケット止めネジ	Oil Pump(centrifugal)Bracket Screw
12	543814-001	3	オイルポンプブラケット止めネジ蓋金	Oil Pump(centrifugal)Bracket Screw Washer
13	541164-001	3	オイルポンプブラケット止めネジナット	Oil Pump(centrifugal)Bracket Screw Nut
14	544213-001	2	オイルポンプ(組)止めネジ	Oil Pump(centrifugal)Screw
15	368137	1	選流チューブ(組)	Oil Removing Tube Comp.
16	16380	1	選流チューブスクリーン	Oil Removing Lint Screen
17	543371	1	選流チューブ支え	Oil Removing Tube Retaining Clamp
18	544212-001	1	選流チューブ支え止めネジ	Oil Removing Tube Retaining Clamp Screw
19	543334	1	選流チューブ止めバネ	Oil Tube Clamp
20	544964	1	オイルチューブ(上輪用)兼手	Oil Tube(arm shaft)Joint
21	368140	1	オイルチューブ(上輪用)	Oil Tube(arm shaft)
22	368454	1	オイルチューブ(下輪用)(組)	Oil Tube(rotating hook shaft) Comp.
23	368141	1	オイルチューブ(下輪用)	Oil Tube(rotating hook shaft)
24	368142	1	下輪オイルパイプ	Rotating Hook Shaft Oil Pipe
25	543334	1	オイルチューブ(下輪用)止めバネ	Oil Tube(rotating hook shaft)Clamp
26	368143	1	下輪オイルパイプ支え	Rotating Hook Shaft Oil Pipe Retaining Clamp
27	504010-451	1	下輪オイルパイプ支え止めネジ	Rotating Hook Shaft Oil Pipe Retaining Clamp Screw

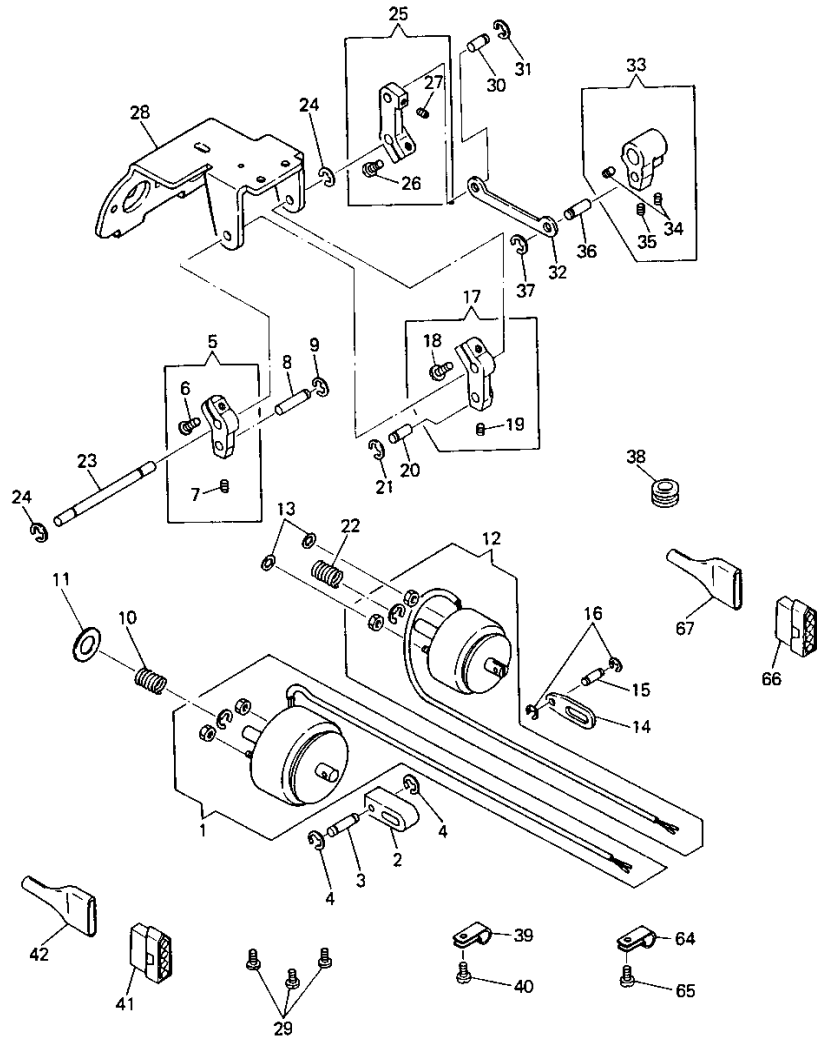
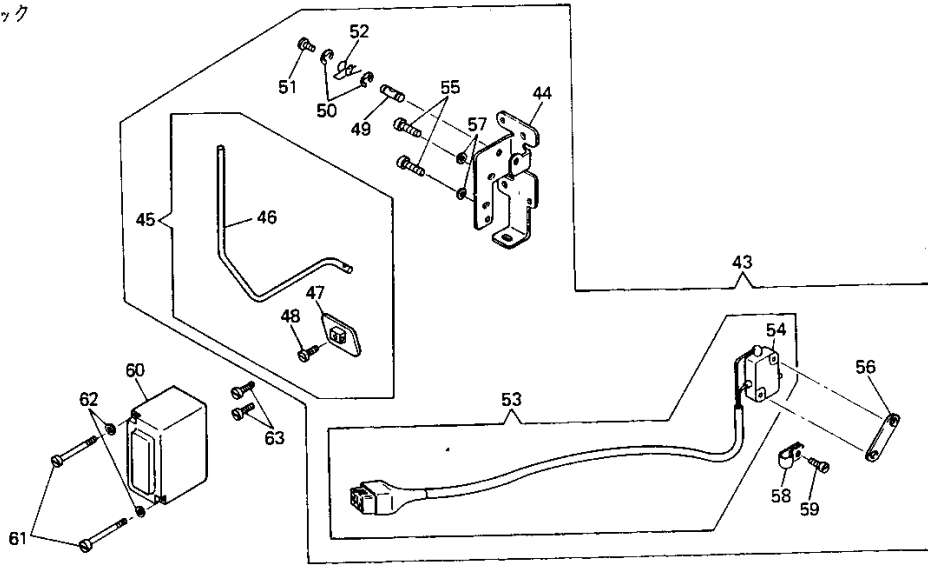
THREAD TRIMMER AND THREAD RETAINER
糸切り、下糸押工



NO.	部品番号 PART NO.	691D10065 691D11065 691D15065 691D20065 691D21065 691D25065 691D30065 691D31065 691D35065	数量 QTY.	名称	DESCRIPTION
1	369001-001	691D10065	1	糸切リソレノイド(組)	Trimmer Solenoid Comp.
2	368145	691D10065	1	糸切リソレノイドブラケット	Trimmer Solenoid Bracket
3	504084	691D10065	1	糸切リソレノイドブラケット止めネジ	Trimmer Solenoid Bracket Screw
4	545067	691D10065	1	糸切リソレノイドブラケット止めネジ	Trimmer Solenoid Bracket Screw
5	368146	691D10065	1	糸切リ作動リング(組)	Trimmer Actuating Ring Comp.
6	544208-005	691D10065	2	糸切リ作動リング止めネジ	Trimmer Actuating Ring Set Screw
7	368148	691D10065	1	糸切リ駆動部、ローラー(組)	Trimmer Driving Arm and Roller Comp.
8	541879	691D10065	1	糸切リ駆動部戻りシバネ	Trimmer Driving Arm Spring
9	368155	691D10065	1	スレッドブラー駆動部(後)(組)	Thread Puller Driving Arm(back)Comp.
10	544209-007	691D10065	2	スレッドブラー駆動部(後)止めネジ	Thread Puller Driving Arm(back)Screw
11	368361	691D10065	1	スレッドブラー駆動部(後)戻ネジ	Thread Puller Driving Arm(back)Stud Screw
12	368157	691D10065	1	スレッドブラー駆動部メタル	Thread Puller Driving Shaft Bushing
13	504020	691D10065	1	スレッドブラー駆動部メタル止めネジ	Thread Puller Driving Shaft Bushing Set Screw
14	368158	691D10065	1	スレッドブラー駆動部	Thread Puller Driving Shaft
15	543801-008	691D10065	1	スレッドブラー駆動部止め輪	Thread Puller Driving Shaft Snap Ring
16	418036	691D10065	1	スレッドブラー駆動部カラー(組)	Thread Puller Driving Shaft Collar Comp.
17	504134	691D10065	2	スレッドブラー駆動部カラー止めネジ	Thread Puller Driving Shaft Collar Set Screw
18	368878	691D10065	1	糸切リカム(組)	Thread Puller Action Cam Comp.
19	544208-005	691D10065	2	糸切リカム止めネジ	Thread Puller Action Cam Set Screw
20	368828	691D10065	1	糸切リカムスラストカラー(組)	Thread Puller Action Cam Thrust Collar Comp.
21	544206-001	691D10065	2	糸切リカムスラストカラー止めネジ	Thread Puller Action Cam Thrust Collar Set Screw
22	368830	691D10065	1	スレッドブラー、ナイフ(組)	Thread Puller, Knife Comp.
23	368831	691D10065	1	スレッドブラー取付台	Thread Puller Bracket
24	368832	691D10065	1	スレッドブラー	Thread Puller
25	368163	691D10065	2	スレッドブラー止めネジ	Thread Puller Screw
26	368443	691D10065	1	ナイフ取付台	Knife Bracket
27	368443	691D10065	1	ナイフ	Knife
28	368163	691D10065	2	ナイフ止めネジ	Knife Screw
29	368168	691D10065	1	ナイフ圧力調整ネジ	Knife Adjusting Screw
30	414783	691D10065	1	ナイフ圧力調整ネジロックナット	Knife Adjusting Screw Lock Nut
31	368166	691D10065	1	ナイフ取付台スラストワッシャー	Knife Bracket Thrust Washer
32	543802-017	691D10065	1	スレッドブラー取付台止め輪	Thread Puller Bracket Snap Ring
33	368170	691D10065	1	ナイフ駆動部(前)(組)	Knife Driving Arm(front)Comp.
34	350881-869	691D10065	1	ナイフ駆動部(前)戻ネジ	Knife Driving Arm(front)Screw
35	368173	691D10065	1	ナイフ駆動部リンク	Knife Driving Link
36	368174	691D10065	2	ナイフ駆動部リンク戻ネジ	Knife Driving Link Stud Screw
37	368176	691D10065	1	スレッドブラー駆動部(前)(組)	Thread Puller Driving Arm(front)Comp.
38	350883-869	691D10065	1	スレッドブラー駆動部(前)戻ネジ	Thread Puller Driving Arm(front)Screw
39	368833	691D10065	1	スレッドブラー駆動部リンク	Thread Puller Driving Link
40	368174	691D10065	2	スレッドブラー駆動部リンク戻ネジ	Thread Puller Driving Link Stud Screw
41	368834	691D10065	1	糸切リ強制復帰装置(組)	Trimmer Restoring Device Comp.
42	368835	691D10065	1	糸切リ強制復帰装置取付台(組)	Trimmer Restoring Device Bracket Comp.
43	368836	691D10065	1	糸切リ強制復帰装置取付台(大)	Trimmer Restoring Device Bracket (large)
44	368837	691D10065	1	糸切リ強制復帰装置取付台(小)	Trimmer Restoring Device Bracket (small)
45	544213-056	691D10065	1	糸切リ強制復帰装置取付台止めネジ	Trimmer Restoring Device Bracket Screw
46	368181	691D10065	1	糸切リ強制復帰部、ローラー(組)	Trimmer Restoring Arm and Roller Comp.
47	368187	691D10065	1	糸切リ強制復帰部戻りシバネ	Trimmer Restoring Arm Spring
48	544208-007	691D10065	1	糸切リ強制復帰部戻り止めネジ	Trimmer Restoring Arm Shaft Set Screw
49	368188	691D10065	1	糸切リ強制復帰部戻りシバネ	Trimmer Restoring Spring
50	543809-004	691D10065	1	糸切リ強制復帰部戻りピン	Trimmer Restoring Pin
51	543801-008	691D10065	1	糸切リ強制復帰部止め輪	Trimmer Restoring Snap Ring
52	368189	691D10065	1	スレッドブラー駆動部ストップバー	Thread Puller Driving Arm Stopper
53	368838	691D10065	1	スレッドブラー駆動部ストップバー取付台	Thread Puller Driving Arm Stopper Stud
54	544208-007	691D10065	1	スレッドブラー駆動部ストップバー取付台止めネジ	Thread Puller Driving Arm Stopper Stud Set Screw
55	543801-006	691D10065	1	スレッドブラー駆動部ストップバー止め輪	Thread Puller Driving Arm Stopper Snap Ring
56	368172	691D10065	2	糸切リ強制復帰装置止めネジ	Trimmer Restoring Device Screw
57	368191	691D10065	1	ナイフ駆動部(後)(組)	Knife Driving Arm(back)Comp.
58	414518	691D10065	1	ナイフ駆動部(後)止めネジ	Knife Driving Arm(back)Screw
59	544053	691D10065	1	ナイフ駆動部(後)止めネジ	Knife Driving Arm(back)Set Screw
60	544053	691D10065	1	糸切リ駆動部連結止めネジ	Knife Driving Arm Connecting Rod Set Screw
61	368193	691D10065	1	糸切リ駆動部連結部	Knife Driving Arm Connecting Rod
62	368194	691D10065	1	ナイフ駆動部メタル	Knife Driving Arm Shaft Bushing
63	504020	691D10065	1	ナイフ駆動部メタル止めネジ	Knife Driving Arm Shaft Bushing Set Screw
64	368195	691D10065	1	ナイフ駆動部	Knife Driving Arm Shaft
65	543801-008	691D10065	1	ナイフ駆動部止め輪	Knife Driving Arm Shaft Snap Ring
66	368675	691D10065	1	スレッドブラー駆動部(後)リンク	Thread Puller Driving Arm(back)Link
67	368174	691D10065	1	スレッドブラー駆動部(後)リンク戻ネジ	Thread Puller Driving Arm(back)Link Stud Screw
68	368313	691D10065	1	糸切リ戻りシバネ	Trimmer Spring
69	542766-006	691D10065	1	糸切リソレノイドコード押得	Trimmer Solenoid Cord Clip
70	544212-051	691D10065	1	糸切リソレノイドコード押得止めネジ	Trimmer Solenoid Cord Clip Screw
71	368771	691D10065	1	下糸押エバネ	Thread Retainer Spring
72	368356	691D10065	1	下糸押エバネ	Thread Retainer Spring
73	543852-002	691D10065	1	下糸押エ支持ピン	Thread Retainer Hinge Pin
74	368772	691D10065	1	下糸押エカラー(組)	Thread Retainer Collar Comp.
75	544206-001	691D10065	2	下糸押エカラー止めネジ	Thread Retainer Collar Set Screw
76	368201	691D10065	1	下糸押エ取付部	Thread Retainer Arm
77	544207-012	691D10065	2	下糸押エ止めネジ	Thread Retainer Set Screw
78	374124	691D10065	1	下糸押エ戻り戻りネジ	Thread Retainer Arm Stud Screw
79	368202	691D10065	1	下糸押エ連結部	Thread Retainer Connecting Rod
80	545260	691D10065	1	下糸押エ連結部戻りネジ	Thread Retainer Connecting Rod Stud Screw
81	368204	691D10065	1	下糸押エ作動部(組)	Thread Retainer Actuating Arm Comp.
82	368207	691D10065	1	下糸押エ連結部戻りネジ	Thread Retainer Connecting Rod Joint
83	543801-008	691D10065	2	下糸押エ連結部戻り止め輪	Thread Retainer Connecting Rod Joint Snap Ring
84	544207-012	691D10065	1	下糸押エ連結部止めネジ	Thread Retainer Connecting Rod Set Screw
85	545396	691D10065	1	下糸押エ作動部戻りネジ	Thread Retainer Actuating Arm Stud Screw
86	368208	691D10065	1	ベッドオイルガード(組)	Bed Oil Guard Comp.
87	549142	691D10065	2	ベッドオイルガード止めネジ	Bed Oil Guard Screw

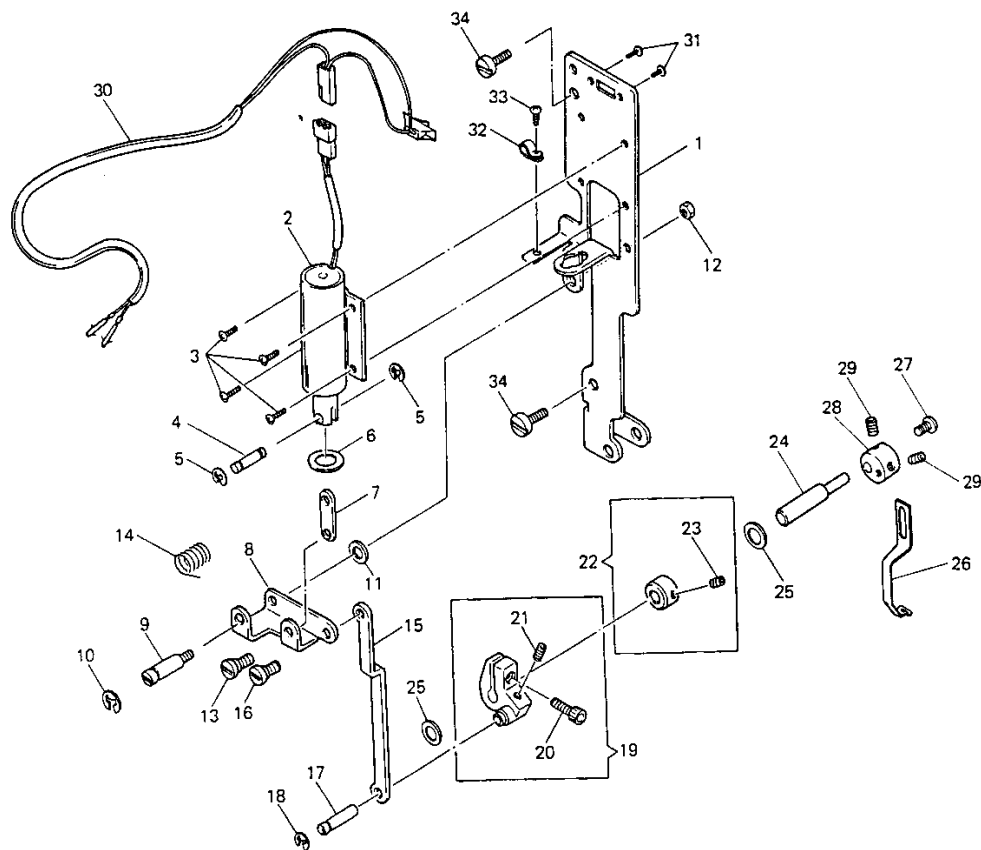
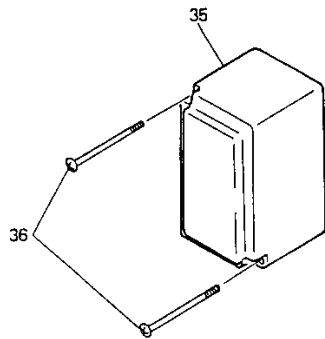
BACK TACK MECHANISM

バックタック



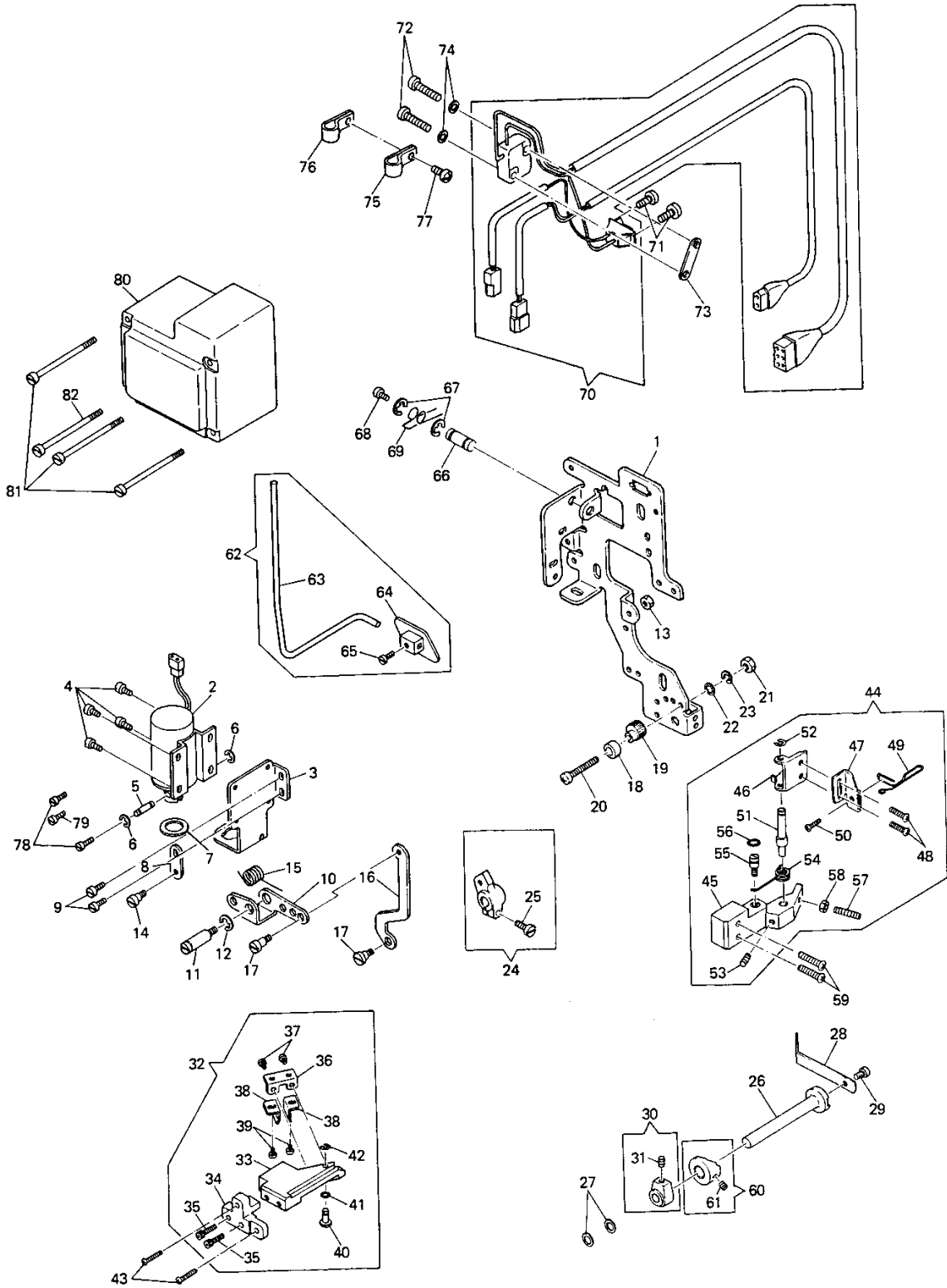
NO.	部品番号 PART NO.	691D1006G	691D1106G	691D2006G	691D2106G	691D3006G	691D3106G	数量 QTY.	名称	DESCRIPTION
1	369003-001	*	*	*	*	*	*	1	バックタックソレノイド(大)(組)	Back Tack Solenoid (large) Comp.
2	368220	*	*	*	*	*	*	1	バックタックソレノイド(大)リンク	Back Tack Solenoid (large) Link
3	368221	*	*	*	*	*	*	1	バックタックソレノイド(大)リンクピン	Back Tack Solenoid (large) Link Pin
4	543801-003	*	*	*	*	*	*	2	バックタックソレノイド(大)リンクピン止め輪	Back Tack Solenoid (large) Link Pin Snap Ring
5	368222	*	*	*	*	*	*	1	バックタックソレノイド(大)腕(組)	Back Tack Solenoid (large) Arm Comp.
6	544213-053	*	*	*	*	*	*	1	バックタックソレノイド(大)腕止めネジ	Back Tack Solenoid (large) Arm Set Screw
7	549293	*	*	*	*	*	*	1	バックタックソレノイド(大)腕ピン	Back Tack Solenoid (large) Arm Pin
8	368224	*	*	*	*	*	*	1	バックタックソレノイド(大)腕ピン止め輪	Back Tack Solenoid (large) Arm Pin Snap Ring
9	543801-006	*	*	*	*	*	*	1	バックタックソレノイド(大)戻シバネ	Back Tack Solenoid (large) Spring
10	368752	*	*	*	*	*	*	1	バックタックソレノイド(大)戻シバネ座金	Back Tack Solenoid (large) Spring Washer
11	543815-001	*	*	*	*	*	*	1	バックタックソレノイド(小)(組)	Back Tack Solenoid (small) Comp.
12	369004-001	*	*	*	*	*	*	1	バックタックソレノイド(小)腕(組)	Back Tack Solenoid (small) Arm Comp.
13	543805-003	*	*	*	*	*	*	2	バックタックソレノイド(小)バネ座金	Back Tack Solenoid (small) Spring Washer
14	368225	*	*	*	*	*	*	1	バックタックソレノイド(小)リンク	Back Tack Solenoid (small) Link
15	368226	*	*	*	*	*	*	1	バックタックソレノイド(小)リンクピン	Back Tack Solenoid (small) Link Pin
16	544823	*	*	*	*	*	*	2	バックタックソレノイド(小)リンクピン止め輪	Back Tack Solenoid (small) Link Pin Snap Ring
17	368227	*	*	*	*	*	*	1	バックタックソレノイド(小)腕(組)	Back Tack Solenoid (small) Arm Comp.
18	544213-053	*	*	*	*	*	*	1	バックタックソレノイド(小)腕止めネジ	Back Tack Solenoid (small) Arm Set Screw
19	549293	*	*	*	*	*	*	1	バックタックソレノイド(小)腕ピン	Back Tack Solenoid (small) Arm Pin
20	368229	*	*	*	*	*	*	1	バックタックソレノイド(小)腕ピン止め輪	Back Tack Solenoid (small) Arm Pin Snap Ring
21	543801-006	*	*	*	*	*	*	1	バックタックソレノイド(小)腕ピン止め輪	Back Tack Solenoid (small) Spring
22	368752	*	*	*	*	*	*	1	バックタックソレノイド(小)戻シバネ	Back Tack Solenoid (small) Spring
23	368230	*	*	*	*	*	*	1	バックタックソレノイド連結軸	Back Tack Solenoid Connecting Shaft
24	543801-006	*	*	*	*	*	*	2	バックタックソレノイド連結軸止め輪	Back Tack Solenoid Connecting Shaft Snap Ring
25	368231	*	*	*	*	*	*	1	バックタックソレノイド連結軸腕(組)	Back Tack Solenoid Connecting Shaft Arm Comp.
26	544213-053	*	*	*	*	*	*	1	バックタックソレノイド連結軸腕止めネジ	Back Tack Solenoid Connecting Shaft Arm Set Screw
27	549293	*	*	*	*	*	*	1	バックタックソレノイドブラケット	Back Tack Solenoid Bracket
28	368234	*	*	*	*	*	*	1	バックタックソレノイドブラケット止めネジ	Back Tack Solenoid Bracket Screw
29	544213-053	*	*	*	*	*	*	3	バックタックソレノイドブラケット止めネジ	Back Tack Solenoid Connecting Shaft Arm Pin
30	368229	*	*	*	*	*	*	1	バックタックソレノイド連結軸腕ピン	Back Tack Solenoid Connecting Shaft Arm Pin
31	543801-006	*	*	*	*	*	*	1	バックタックソレノイド連結軸腕ピン止め輪	Back Tack Solenoid Connecting Shaft Arm Pin Snap Ring
32	368233	*	*	*	*	*	*	1	バックタックソレノイド連結軸リンク	Back Tack Solenoid Connecting Link
33	368235	*	*	*	*	*	*	1	送り調節台作動軸腕(組)	Feed Rock Shaft Driving Frame Actuating Arm Comp.
34	544098	*	*	*	*	*	*	2	送り調節台作動軸腕止めネジ	Feed Rock Shaft Driving Frame Actuating Arm Set Screw
35	544142	*	*	*	*	*	*	1	送り調節台作動軸腕ピン止めネジ	Feed Rock Shaft Driving Frame Actuating Arm Pin Set Screw
36	368237	*	*	*	*	*	*	1	送り調節台作動軸腕ピン	Feed Rock Shaft Driving Frame Actuating Arm Pin
37	543801-006	*	*	*	*	*	*	1	送り調節台作動軸腕ピン止め輪	Feed Rock Shaft Driving Frame Actuating Arm Pin Snap Ring
38	368139	*	*	*	*	*	*	1	コードブッシュ	Cord Bushing
39	542766-004	*	*	*	*	*	*	1	糸切リ,バックタックソレノイドコード押工	Trimmer Solenoid, Back Tack Solenoid Cord Clip
40	544212-051	*	*	*	*	*	*	1	糸切リ,バックタックソレノイドコード押工止めネジ	Trimmer Solenoid, Back Tack Solenoid Cord Clip Screw
41	542598	*	*	*	*	*	*	2	糸切リ,バックタックソレノイド(大)コードコネクタ	Trimmer Solenoid, Back Tack Solenoid (large) Cord Connector
42	542599	*	*	*	*	*	*	2	糸切リ,バックタックソレノイド(大)コードコネクタカバー	Trimmer Solenoid, Back Tack Solenoid (large) Cord Connector Cover
43	368407	*	*	*	*	*	*	1	バックタックスイッチ(組)	Back Tack Switch Comp.
44	368351	*	*	*	*	*	*	1	バックタックスイッチブラケット	Back Tack Switch Bracket
45	368256	*	*	*	*	*	*	1	バックタックスイッチレバー(組)	Back Tack Switch Lever Comp.
46	368257	*	*	*	*	*	*	1	バックタックスイッチレバー	Back Tack Switch Lever
47	368258	*	*	*	*	*	*	1	バックタックスイッチレバースタミ	Back Tack Switch Lever Plate
48	374110-002	*	*	*	*	*	*	1	バックタックスイッチレバースタミ止めネジ	Back Tack Switch Lever Plate Screw
49	368260	*	*	*	*	*	*	1	バックタックスイッチレバー軸	Back Tack Switch Lever Stud
50	543801-007	*	*	*	*	*	*	2	バックタックスイッチレバー軸止め輪	Back Tack Switch Lever Stud Snap Ring
51	544212-052	*	*	*	*	*	*	1	バックタックスイッチレバー止めネジ	Back Tack Switch Lever Screw
52	368261	*	*	*	*	*	*	1	バックタックスイッチレバーバネ	Back Tack Switch Lever Spring
53	369029-001	*	*	*	*	*	*	1	バックタックスイッチコード,コネクタ(組)	Back Tack Switch Cord, Connector Comp.
54	369059	*	*	*	*	*	*	1	バックタックスイッチ	Back Tack Switch
55	544211-056	*	*	*	*	*	*	2	バックタックスイッチ止めネジ	Back Tack Switch Screw
56	368467	*	*	*	*	*	*	1	バックタックスイッチプレート	Back Tack Switch Plate
57	543805-002	*	*	*	*	*	*	2	バックタックスイッチ止めネジ座金	Back Tack Switch Screw Washer
58	542766-002	*	*	*	*	*	*	1	バックタックスイッチコード押工	Back Tack Switch Cord Clip
59	544212-051	*	*	*	*	*	*	1	バックタックスイッチコード押工止めネジ	Back Tack Switch Cord Clip Screw
60	368349	*	*	*	*	*	*	1	バックタックスイッチカバー	Back Tack Switch Cover
61	544212-008	*	*	*	*	*	*	2	バックタックスイッチカバー止めネジ	Back Tack Switch Cover Screw
62	543804-013	*	*	*	*	*	*	2	バックタックスイッチカバー止めネジ座金	Back Tack Switch Cover Screw Washer
63	544213-001	*	*	*	*	*	*	2	バックタックスイッチブラケット止めネジ	Back Tack Switch Bracket Screw
64	542766-003	*	*	*	*	*	*	1	糸切リ,糸ユルメ,バックタックソレノイドコード押工	Trimmer, Tension Releasing and Back Tack Solenoid, Cord Clip
65	544212-051	*	*	*	*	*	*	1	糸切リ,糸ユルメ,バックタックソレノイドコード押工止めネジ	Trimmer, Tension Releasing and Back Tack Solenoid, Cord Clip Screw
66	542598	*	*	*	*	*	*	1	糸ユルメ,バックタックソレノイド(小)コードコネクタ	Tension Releasing and Back Tack Solenoid (small) Cord Connector
67	542599	*	*	*	*	*	*	1	糸ユルメ,バックタックソレノイド(小)コードコネクタカバー	Tension Releasing and Back Tack Solenoid (small) Cord Connector Cover

WIPER
ワイパー



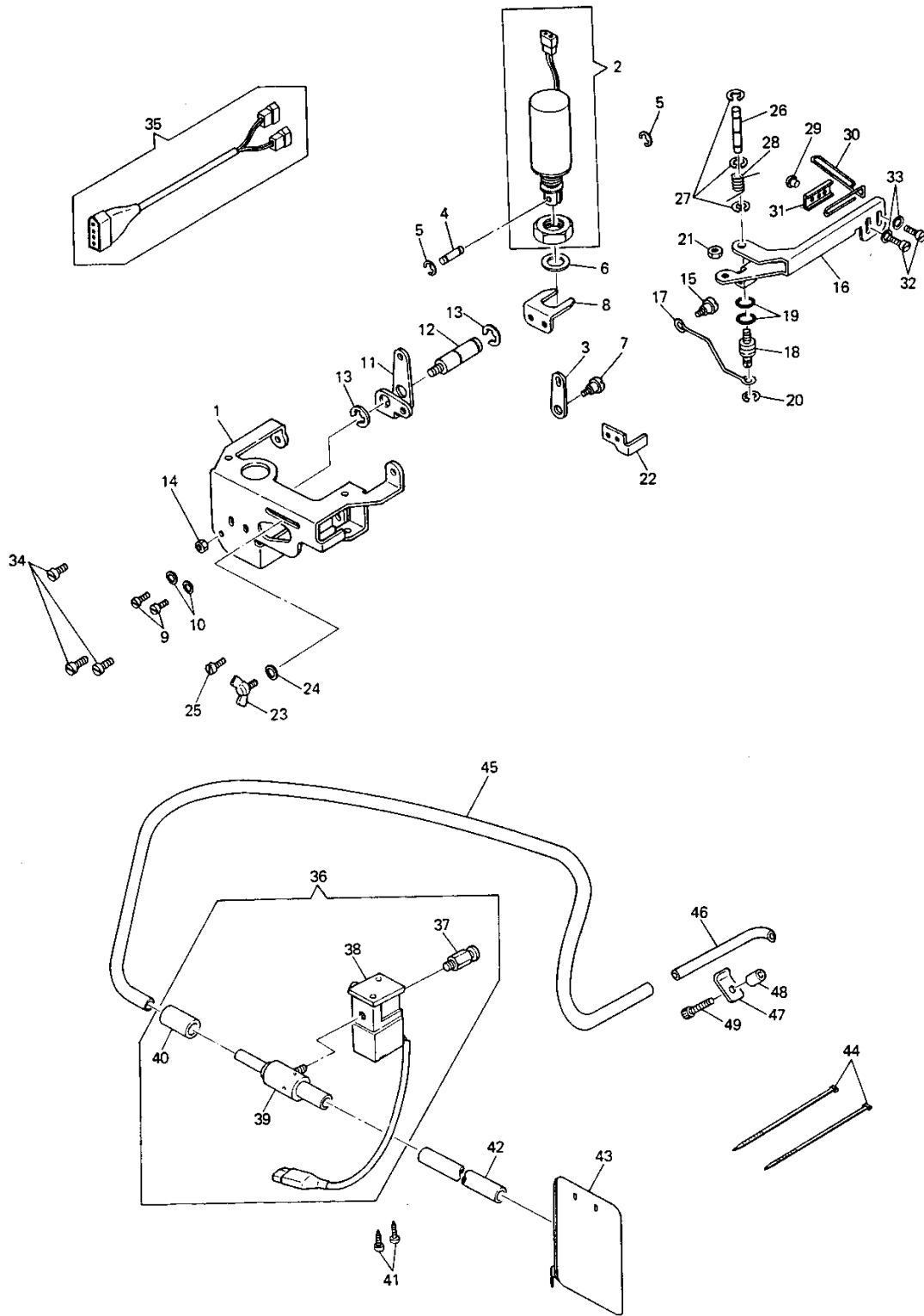
NO.	部品番号 PART NO.	691010066 691011066 691015066 691020066 691021066 691025066 691030066 691031066 691035066					数量 QTY.	名 称	DESCRIPTION
		*	*	*	*	*			
1	368840	*	*	*	*	*	1	ワイパー取付ブラケット	Wiper Bracket
2	369005-001	*	*	*	*	*	1	ワイパーソレノイド(組)	Wiper Solenoid Comp.
3	544211-051	*	*	*	*	*	4	ワイパーソレノイド止めネジ	Wiper Solenoid Screw
4	368242	*	*	*	*	*	1	ワイパーソレノイドピン	Wiper Solenoid Pin
5	543801-002	*	*	*	*	*	2	ワイパーソレノイドピン止め輪	Wiper Solenoid Pin Snap Ring
6	368243	*	*	*	*	*	1	ワイパーソレノイドクッション	Wiper Solenoid Cushion
7	368244	*	*	*	*	*	1	ワイパーソレノイドクランクリンク(小)	Wiper Solenoid Crank Link (small)
8	368841	*	*	*	*	*	1	ワイパーソレノイドクランク	Wiper Solenoid Crank
9	368246	*	*	*	*	*	1	ワイパーソレノイドクランク軸	Wiper Solenoid Crank Stud
10	543801-007	*	*	*	*	*	1	ワイパーソレノイドクランク軸止め輪	Wiper Solenoid Crank Stud Snap Ring
11	543803-015	*	*	*	*	*	1	ワイパーソレノイドクランク軸ワッシャー	Wiper Solenoid Crank Stud Washer
12	541166-001	*	*	*	*	*	1	ワイパーソレノイドクランク軸ナット	Wiper Solenoid Crank Stud Nut
13	368247	*	*	*	*	*	1	ワイパーソレノイドクランク軸ネジ	Wiper Solenoid Crank Stud Screw
14	368842	*	*	*	*	*	1	ワイパーソレノイドクランクバネ	Wiper Solenoid Crank Spring
15	368843	*	*	*	*	*	1	ワイパーソレノイドクランクリンク(大)	Wiper Solenoid Crank Link (large)
16	368247	*	*	*	*	*	1	ワイパーソレノイドクランクリンク(大)設ネジ	Wiper Solenoid Crank Link (large) Stud Screw
17	368844	*	*	*	*	*	1	ワイパー軸クランクピン	Wiper Shaft Crank Pin
18	543801-003	*	*	*	*	*	1	ワイパー軸クランクピン止め輪	Wiper Shaft Crank Pin Snap Ring
19	368845	*	*	*	*	*	1	ワイパー軸クランク(組)	Wiper Shaft Crank Comp.
20	350883-869	*	*	*	*	*	1	ワイパー軸クランク軸ネジ	Wiper Shaft Crank Screw
21	544207-012	*	*	*	*	*	1	ワイパー軸クランクピン止めネジ	Wiper Shaft Crank Pin Screw
22	368847	*	*	*	*	*	1	ワイパー軸スラストカラー(組)	Wiper Shaft Thrust Collar Comp.
23	544207-012	*	*	*	*	*	1	ワイパー軸スラストカラー止めネジ	Wiper Shaft Thrust Collar Set Screw
24	368884	*	*	*	*	*	1	ワイパー軸	Wiper Shaft
25	542402	*	*	*	*	*	2	ワイパー軸ワッシャー	Wiper Shaft Washer
26	368883	*	*	*	*	*	1	ワイパー	Wiper
27	544211-052	*	*	*	*	*	1	ワイパー止めネジ	Wiper Set Screw
28	368885	*	*	*	*	*	1	ワイパー桿	Wiper Holder
29	544206-012	*	*	*	*	*	2	ワイパー桿工止めネジ	Wiper Holder Set Screw
30	369074	*	*	*	*	*	1	ワイパースイッチ、コード(組)	Wiper Switch, Cord Comp.
31	544216-001	*	*	*	*	*	2	ワイパースイッチ止めネジ	Wiper Switch Screw
32	542766-002	*	*	*	*	*	1	ワイパースイッチコード桿工	Wiper Switch Cord Clip
33	544212-051	*	*	*	*	*	1	ワイパースイッチコード桿工止めネジ	Wiper Switch Cord Clip Screw
34	544213-001	*	*	*	*	*	2	ワイパー取付ブラケット止めネジ	Wiper Bracket Screw
35	368851	*	*	*	*	*	1	ワイパーソレノイドカバー	Wiper Solenoid Cover
36	544212-010	*	*	*	*	*	2	ワイパーソレノイドカバー止めネジ	Wiper Solenoid Cover Screw

NEEDLE THREAD HOLDER
上糸ツカミプラー



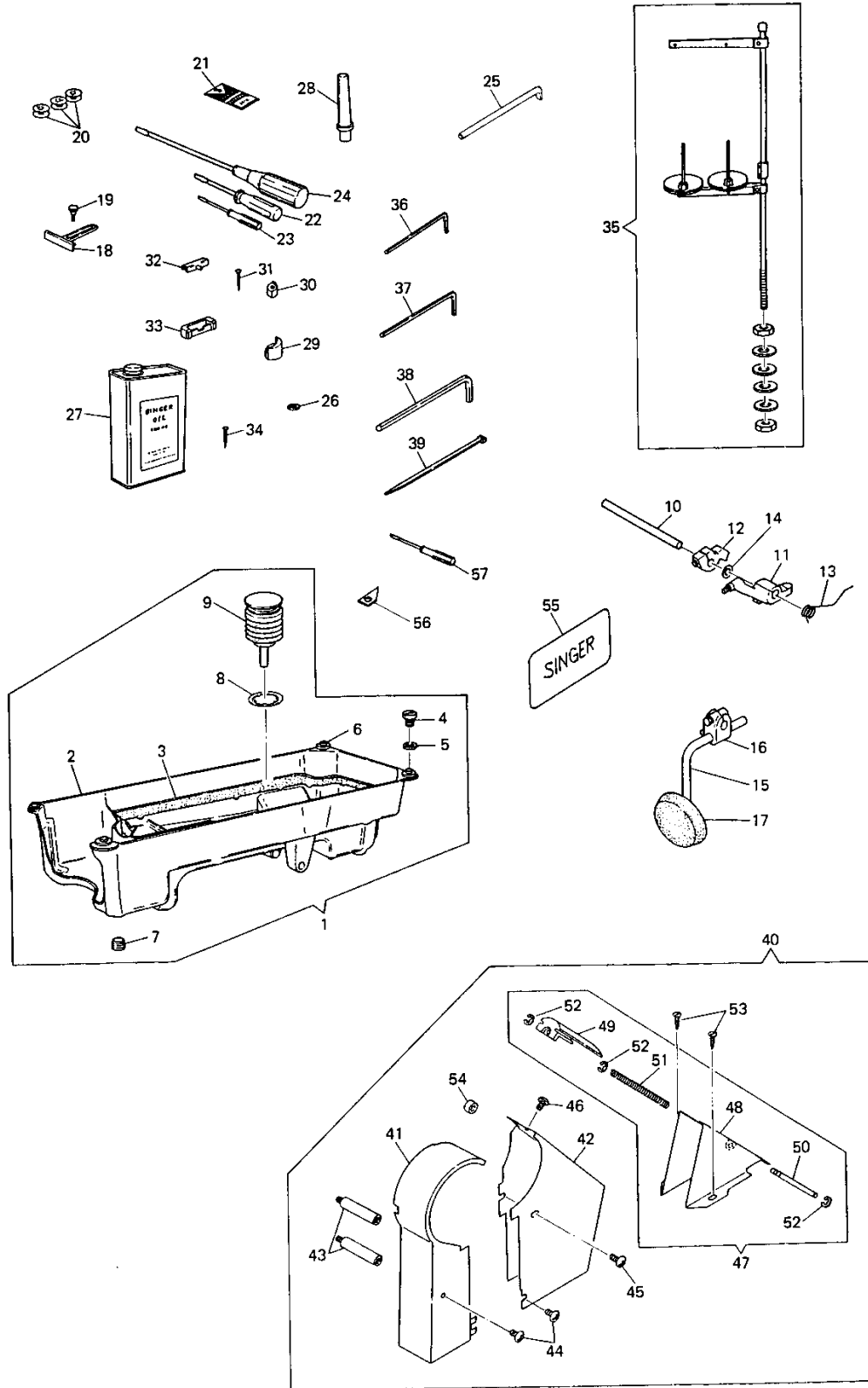
NO.	部品番号 PART NO.	691D10066 691D11066 691D19066 691D20066 691D21066 691D30066 691D31066 691D35066					数量 QTY.	名 称	DESCRIPTION
1	368239						1	上糸ツカミ, 上糸タグリブラケット	Needle Thread Holder, Slack Needle Thread Regulator (upper) Bracket
2	369005-001						1	上糸ツカミソレノイド(組)	Needle Thread Holder Solenoid Comp.
3	368241						1	上糸ツカミソレノイドブラケット	Needle Thread Holder Solenoid Bracket
4	544211-051						4	上糸ツカミソレノイド止メネジ	Needle Thread Holder Solenoid Screw
5	368242						1	上糸ツカミソレノイドピン	Needle Thread Holder Solenoid Pin
6	543801-002						2	上糸ツカミソレノイドピン止メ輪	Needle Thread Holder Solenoid Pin Snap Ring
7	368243						1	上糸ツカミソレノイドクッション	Needle Thread Holder Solenoid Cushion
8	368244						1	上糸ツカミソレノイドクランクリンク(小)	Needle Thread Holder Solenoid Crank Link (small)
9	544212-051						2	上糸ツカミソレノイドブラケット止メネジ	Needle Thread Holder Solenoid Bracket Screw
10	368245						1	上糸ツカミソレノイドクランク	Needle Thread Holder Solenoid Crank
11	368246						1	上糸ツカミソレノイドクランク軸	Needle Thread Holder Solenoid Crank Shaft
12	543801-007						1	上糸ツカミソレノイドクランク止メ輪	Needle Thread Holder Solenoid Crank Shaft Snap Ring
13	541165-001						1	上糸ツカミソレノイドクランク軸ナット	Needle Thread Holder Solenoid Crank Shaft Nut
14	368247						1	上糸ツカミソレノイドクランク段ネジ	Needle Thread Holder Solenoid Crank Stud Screw
15	368248						1	上糸ツカミソレノイドクランクバネ	Needle Thread Holder Solenoid Crank Spring
16	368853						1	上糸ツカミソレノイドクランクリンク(大)	Needle Thread Holder Solenoid Crank Link (large)
17	368247						2	上糸ツカミソレノイドクランクリンク(大)段ネジ	Needle Thread Holder Solenoid Crank Link (large) Stud Screw
18	368854						1	上糸ツカミソレノイドクランクリンク(大)ストッパ	Needle Thread Holder Solenoid Crank Link (large) Stopper
19	368882						1	上糸ツカミソレノイドクランクリンク(大)ストッパ-重心カラー	Needle Thread Holder Solenoid Crank Link (large) Stopper Collar
20	544217-057						1	上糸ツカミソレノイドクランクリンク(大)ストッパ-止メネジ	Needle Thread Holder Solenoid Crank Link (large) Stopper Screw
21	541165-001						1	上糸ツカミソレノイドクランクリンク(大)ストッパ-止メネジロックナット	Needle Thread Holder Solenoid Crank Link (large) Stopper Screw Lock Nut
22	543803-003						1	上糸ツカミソレノイドクランクリンク(大)ストッパ-止メネジロックナット兼金	Needle Thread Holder Solenoid Crank Link (large) Stopper Screw Lock Nut Washer
23	543805-003						1	上糸ツカミソレノイドクランクリンク(大)ストッパ-止メネジロックナット兼金	Needle Thread Holder Solenoid Crank Link (large) Stopper Screw Lock Nut Washer
24	368250						1	上糸ツカミプラー-軸クランク(組)	Needle Thread Holder Puller Shaft Crank Comp.
25	350883-869						1	上糸ツカミプラー-軸クランク止メネジ	Needle Thread Holder Puller Shaft Crank Screw
26	368855						1	上糸ツカミプラー-軸	Needle Thread Holder Puller Shaft
27	542402						2	上糸ツカミプラー-軸兼金	Needle Thread Holder Puller Shaft Washer
28	368856						1	上糸ツカミプラー-軸	Needle Thread Holder Puller Shaft
29	374106-004						1	上糸ツカミプラー-止メネジ	Needle Thread Holder Puller Shaft Screw
30	368857						1	上糸ツカミプラー-軸スラストカラー(組)	Needle Thread Holder Puller Shaft Thrust Collar Comp.
31	544207-012						1	上糸ツカミプラー-軸スラストカラー止メネジ	Needle Thread Holder Puller Shaft Thrust Collar Screw
32	368859						1	上糸ツカミプラー-バネ, プラケット(組)	Needle Thread Holder Puller Spring, Bracket Comp.
33	368860						1	上糸ツカミプラー-バネプラケット(大)	Needle Thread Holder Puller Spring Bracket (large)
34	368861						1	上糸ツカミプラー-バネプラケット(上)	Needle Thread Holder Puller Spring Bracket (upper)
35	374106-006						2	上糸ツカミプラー-バネプラケット(上)止メネジ	Needle Thread Holder Puller Spring Bracket (upper) Screw
36	368862						1	上糸ツカミプラー-バネプラケット(小)	Needle Thread Holder Puller Spring Bracket (small)
37	544211-052						2	上糸ツカミプラー-バネプラケット(小)止メネジ	Needle Thread Holder Puller Spring Bracket (small) Screw
38	368863						2	上糸ツカミプラー-バネ	Needle Thread Holder Puller Spring
39	544113						2	上糸ツカミプラー-バネ止メネジ	Needle Thread Holder Puller Spring Screw
40	368864						1	上糸ツカミプラー-ストッパ	Needle Thread Holder Puller Stopper
41	541949						1	上糸ツカミプラー-ストッパ-リング	Needle Thread Holder Puller Stopper O-Ring
42	543801-003						1	上糸ツカミプラー-ストッパ-止メ輪	Needle Thread Holder Puller Stopper Snap Ring
43	544212-052						2	上糸ツカミプラー-バネプラケット止メネジ	Needle Thread Holder Puller Spring Bracket Screw
44	368865						1	針糸タグリ(組)	Slack Needle Thread Regulator (lower) Comp.
45	368866						1	針糸タグリブラケット	Slack Needle Thread Regulator (lower) Bracket
46	368867						1	針糸タグリクランク	Slack Needle Thread Regulator (lower) Crank
47	368868						1	針糸タグリ取付板	Slack Needle Thread Regulator (lower) Mounting Plate
48	544211-051						2	針糸タグリ取付板止メネジ	Slack Needle Thread Regulator (lower) Mounting Plate Screw
49	368869						1	針糸タグリ	Slack Needle Thread Regulator (lower)
50	544211-052						1	針糸タグリ止メネジ	Slack Needle Thread Regulator (lower) Screw
51	368870						1	針糸タグリクランク軸	Slack Needle Thread Regulator (lower) Crank Shaft
52	543801-003						1	針糸タグリクランク止メ輪	Slack Needle Thread Regulator (lower) Crank Shaft Snap Ring
53	544207-012						1	針糸タグリクランク止メネジ	Slack Needle Thread Regulator (lower) Crank Shaft Screw
54	368871						1	針糸タグリクランク戻シバネ	Slack Needle Thread Regulator (lower) Crank Spring
55	368872						1	針糸タグリクランク制限ネジ	Slack Needle Thread Regulator (lower) Crank Stopper Screw
56	541949						1	針糸タグリクランク制限ネジOリング	Slack Needle Thread Regulator (lower) Crank Stopper Screw O-ring
57	544206-017						1	針糸タグリストッパ-ネジ	Slack Needle Thread Regulator (lower) Stopper Screw
58	541164-003						1	針糸タグリストッパ-ネジロックナット	Slack Needle Thread Regulator (lower) Stopper Screw Lock Nut
59	544211-055						2	針糸タグリ(組)止メネジ	Slack Needle Thread Regulator (lower) Comp. Screw
60	368873						1	針糸タグリ作動カム(組)	Slack Needle Thread Regulator (lower) Action Can Comp.
61	544207-011						1	針糸タグリ作動カム止メネジ	Slack Needle Thread Regulator (lower) Action Can Screw
62	368256						1	バックタックスイッチレバー(組)	Back Tack Switch Lever Comp.
63	368257						1	バックタックスイッチレバー	Back Tack Switch Lever
64	368258						1	バックタックスイッチレバーツマミ	Back Tack Switch Lever Plate
65	374110-002						1	バックタックスイッチレバーツマミ止メネジ	Back Tack Switch Lever Plate Screw
66	368260						1	バックタックスイッチレバー軸	Back Tack Switch Lever Stud
67	543801-007						2	バックタックスイッチレバー軸止メ輪	Back Tack Switch Lever Stud Snap Ring
68	544212-052						1	バックタックスイッチレバー止メネジ	Back Tack Switch Lever Screw
69	368261						1	バックタックスイッチレバーバネ	Back Tack Switch Lever Spring
70	369013-001						1	上糸ツカミ, 上糸タグリ, バックタックスイッチコード, コネクター(組)	Needle Thread Holder, Slack Needle Thread Regulator (upper) and Back Tack Switch Cord Connector Comp.
71	544216-001						2	上糸ツカミ, 上糸タグリ止メネジ	Needle Thread Holder and Slack Thread Regulator (upper) Switch Screw
72	544211-056						2	バックタックスイッチ止メネジ	Back Tack Switch Screw
73	368467						1	バックタックスイッチプレート	Back Tack Switch Plate
74	543805-002						2	バックタックスイッチ止メネジ兼金	Back Tack Switch Screw Washer
75	542766-004						1	上糸ツカミソレノイド, バックタックスイッチコード押工	Needle Thread Holder Solenoid and Back Tack Switch Cord Clip
76	542766-002						1	上糸ツカミソレノイド, バックタックスイッチコード押工	Slack Needle Thread Regulator (upper) Switch Cord Clip Screw
77	544212-003						1	上糸ツカミ, 上糸タグリ, バックタックスイッチコード押工止メネジ	Needle Thread Holder, Slack Needle Thread Regulator (upper) and Back Tack Switch Cord Clip Screw
78	544213-001						2	上糸ツカミ, 上糸タグリブラケット止メネジ	Needle Thread Holder and Slack Needle Thread Regulator (upper) Bracket Screw
79	368523						1	上糸ツカミ, 上糸タグリブラケット止メネジ	Needle Thread Holder and Slack Needle Thread Regulator (upper) Bracket Screw
80	368262						1	上糸ツカミ, 上糸タグリブラケットカバー止メネジ	Needle Thread Holder and Slack Needle Thread Regulator (upper) Bracket Cover Screw
81	544212-010						3	上糸ツカミ, 上糸タグリブラケットカバー止メネジ	Needle Thread Holder and Slack Needle Thread Regulator (upper) Bracket Cover Screw
82	544212-009						1	上糸ツカミ, 上糸タグリブラケットカバー止メネジ	Needle Thread Holder and Slack Needle Thread Regulator (upper) Bracket Cover Screw

SLACK NEEDLE THREAD REGULATOR AND SUCTION PIPE
上糸タグリ、上糸吸引パイプ



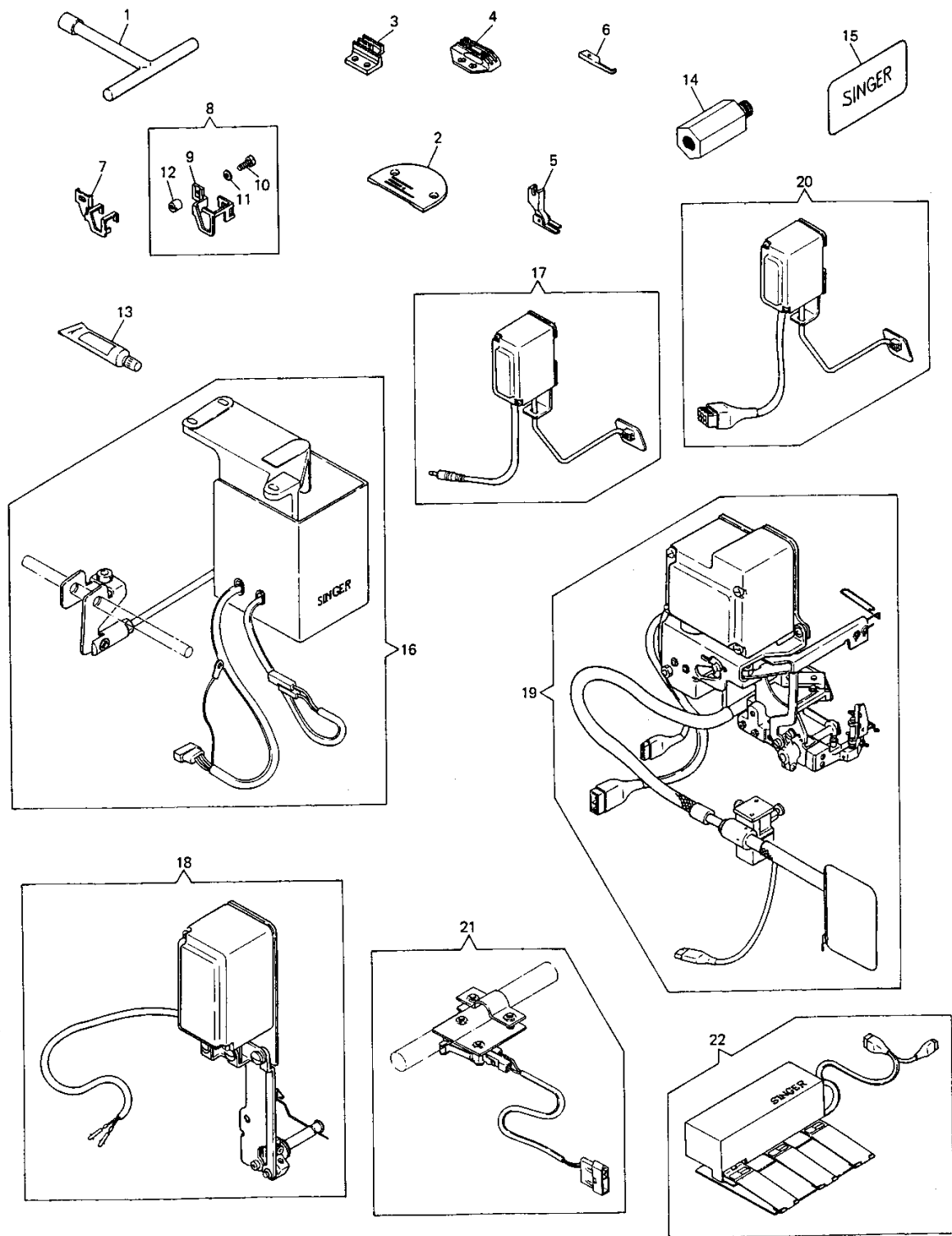
NO.	部 品 番 号 PART NO.	691D10066	691D11066	691D15066	691D20066	691D21066	691D25066	691D30066	691D31066	691D35066	数量 Qty.	名 称	DESCRIPTION
1	368312	•	•	•	•	•	•	•	•	•	1	上糸タグリブラケット	Slack Needle Thread Regulator (upper) Bracket
2	369006-001	•	•	•	•	•	•	•	•	•	1	上糸タグリソレノイド(組)	Slack Needle Thread Regulator (upper) Solenoid Comp.
3	368284	•	•	•	•	•	•	•	•	•	1	上糸タグリソレノイドリンク	Slack Needle Thread Regulator (upper) Solenoid Link
4	368285	•	•	•	•	•	•	•	•	•	1	上糸タグリソレノイドピン	Slack Needle Thread Regulator (upper) Solenoid Pin
5	543801-002	•	•	•	•	•	•	•	•	•	2	上糸タグリソレノイドリンク止め輪	Slack Needle Thread Regulator (upper) Solenoid Link Snap Ring
6	368286	•	•	•	•	•	•	•	•	•	1	上糸タグリソレノイドクッション	Slack Needle Thread Regulator (upper) Solenoid Cushion
7	368247	•	•	•	•	•	•	•	•	•	1	上糸タグリソレノイドリンク調整ネジ	Slack Needle Thread Regulator (upper) Solenoid Link Stud Screw
8	368287	•	•	•	•	•	•	•	•	•	1	上糸タグリソレノイド調整板	Slack Needle Thread Regulator (upper) Solenoid Adjusting Plate
9	544211-052	•	•	•	•	•	•	•	•	•	2	上糸タグリソレノイド調整板止めネジ	Slack Needle Thread Regulator (upper) Solenoid Adjusting Plate Screw
10	543803-012	•	•	•	•	•	•	•	•	•	2	上糸タグリソレノイド調整板止めネジ座金	Slack Needle Thread Regulator (upper) Solenoid Adjusting Plate Screw Washer
11	368289	•	•	•	•	•	•	•	•	•	1	上糸タグリソレノイド腕	Slack Needle Thread Regulator (upper) Solenoid Arm
12	368290	•	•	•	•	•	•	•	•	•	1	上糸タグリソレノイド腕シャフト	Slack Needle Thread Regulator (upper) Solenoid Arm Shaft
13	543801-008	•	•	•	•	•	•	•	•	•	2	上糸タグリソレノイド腕止め輪	Slack Needle Thread Regulator (upper) Solenoid Arm Snap Ring
14	541166-001	•	•	•	•	•	•	•	•	•	1	上糸タグリソレノイド腕シャフトロックナット	Slack Needle Thread Regulator (upper) Solenoid Arm Shaft Lock Nut
15	368247	•	•	•	•	•	•	•	•	•	1	上糸タグリ調整ネジ	Slack Needle Thread Regulator (upper) Connecting Rod Stud Screw
16	368295	•	•	•	•	•	•	•	•	•	1	上糸タグリ腕	Slack Needle Thread Regulator (upper) Arm
17	368293	•	•	•	•	•	•	•	•	•	1	上糸タグリ調整ネジ	Slack Needle Thread Regulator (upper) Connecting Rod
18	368294	•	•	•	•	•	•	•	•	•	1	上糸タグリ調整ネジ座金	Slack Needle Thread Regulator (upper) Connecting Rod Screw Washer
19	545825	•	•	•	•	•	•	•	•	•	2	上糸タグリ調整ネジOリング	Slack Needle Thread Regulator (upper) Connecting Rod Screw O-ring
20	543801-004	•	•	•	•	•	•	•	•	•	1	上糸タグリ調整ネジ止め輪	Slack Needle Thread Regulator (upper) Connecting Rod Screw Snap Ring
21	541166-001	•	•	•	•	•	•	•	•	•	1	上糸タグリ調整ネジロックナット	Slack Needle Thread Regulator (upper) Connecting Rod Screw Lock Nut
22	368296	•	•	•	•	•	•	•	•	•	1	上糸タグリ調整ネジ調整板	Slack Needle Thread Regulator (upper) Connecting Rod Adjusting Plate
23	368441-001	•	•	•	•	•	•	•	•	•	1	チョウボルト	Wing Bolt
24	543803-012	•	•	•	•	•	•	•	•	•	1	チョウボルト座金	Wing Bolt Washer
25	368440	•	•	•	•	•	•	•	•	•	1	上糸タグリ指示ネジ	Slack Needle Thread Regulator (upper) Screw
26	368298	•	•	•	•	•	•	•	•	•	1	上糸タグリピン	Slack Needle Thread Regulator (upper) Arm Pin
27	543801-005	•	•	•	•	•	•	•	•	•	3	上糸タグリピン止め輪	Slack Needle Thread Regulator (upper) Arm Pin Snap Ring
28	368299	•	•	•	•	•	•	•	•	•	1	上糸タグリ腕バネ	Slack Needle Thread Regulator (upper) Arm Spring
29	368309	•	•	•	•	•	•	•	•	•	1	上糸タグリ腕ゴムクッション	Slack Needle Thread Regulator (upper) Arm Cushion
30	368300	•	•	•	•	•	•	•	•	•	1	上糸タグリロッド	Slack Needle Thread Regulator (upper) Rod
31	368301	•	•	•	•	•	•	•	•	•	1	上糸タグリロッド固定板	Slack Needle Thread Regulator (upper) Rod Plate
32	544211-052	•	•	•	•	•	•	•	•	•	2	上糸タグリロッド止めネジ	Slack Needle Thread Regulator (upper) Rod Screw
33	543803-012	•	•	•	•	•	•	•	•	•	2	上糸タグリロッド止めネジ座金	Slack Needle Thread Regulator (upper) Rod Screw Washer
34	544212-051	•	•	•	•	•	•	•	•	•	3	上糸タグリブラケット止めネジ	Slack Needle Thread Regulator (upper) Bracket Screw
35	369011-001	•	•	•	•	•	•	•	•	•	1	上糸タグリ、吸込ソレノイドコード、コネクタ(組)	Slack Needle Thread Regulator (upper), Suction Solenoid Cord and Connector Comp.
36	368433	•	•	•	•	•	•	•	•	•	1	上糸吸引装置(組)	Needle Thread Suction Unit Comp.
37	544838	•	•	•	•	•	•	•	•	•	1	エアチューブ継手	Air Tube Sleeve
38	411889	•	•	•	•	•	•	•	•	•	1	電磁弁(組)	Solenoid Valve Comp.
39	417898	•	•	•	•	•	•	•	•	•	1	上糸吸引装置	Needle Thread Suction Unit
40	368330	•	•	•	•	•	•	•	•	•	1	上糸吸引チューブ継手	Needle Thread Suction Tube Connector
41	549398	•	•	•	•	•	•	•	•	•	2	電磁弁取付木ネジ	Needle Thread Suction Unit Wood Screw
42	368616-001	•	•	•	•	•	•	•	•	•	1	上糸吐出チューブ	Needle Thread Exhaust Tube
43	410183	•	•	•	•	•	•	•	•	•	1	糸筒収集袋	Lint Collecting Bag
44	540899	•	•	•	•	•	•	•	•	•	2	コードリテーナ	Cord Retainer
45	368329-001	•	•	•	•	•	•	•	•	•	1	上糸吸引チューブ	Needle Thread Suction Tube
46	368875	•	•	•	•	•	•	•	•	•	1	上糸吸引パイプ	Needle Thread Suction Pipe
47	368876	•	•	•	•	•	•	•	•	•	1	上糸吸引パイプ支エ	Needle Thread Suction Pipe Retaining Clamp
48	368877	•	•	•	•	•	•	•	•	•	1	上糸吸引パイプ支エスペーサ	Needle Thread Suction Pipe Retaining Clamp Spacer
49	374497-004	•	•	•	•	•	•	•	•	•	1	上糸吸引パイプ支エ止めネジ	Needle Thread Suction Pipe Retaining Clamp Screw

ACCESSORIES AND ATTACHMENTS
 付属品



NO.	部品番号 PART NO.	数量					名 称	DESCRIPTION
		691D10066	691D11066	691D20066	691D25066	691D30066		
1	368268	油受け (組)	Machine Base and Oil Reservoir Comp.
2	368269	油受け	Machine Base and Oil Reservoir
3	368270	油受けガスケット	Machine Base and Oil Reservoir Gasket
4	545036	油受けドレンネジ	Machine Base and Oil Reservoir Oil Drain Plug Screw
5	545754	油受けドレンネジパッキン	Machine Base and Oil Reservoir Oil Drain Plug Screw Gasket
6	368377	4	ミシン受けクッション	Machine Rest (rubber)
7	368378-001	1	油受けドレンプラグ	Oil Drain Plug
8	543812-015	1	油受けリング	Machine Base and Oil Reservoir Ring
9	368372	1	露上ゲプランジャー (組)	Bell Crank Plunger Comp.
10	368267	1	露当軸	Rock Shaft
11	545915	1	露当軸 (組)	Rock Shaft Crank Comp.
12	545922	1	露当軸止メ (組)	Rock Shaft Stop Dog Comp.
13	545921	1	露当軸	Rock Shaft Spring
14	543823-001	3	露当軸ラストワッシャー	Rock Shaft Thrust Washer
15	544895	1	露当軸	Rock Shaft Knee Arm
16	545918	1	露当軸支工 (組)	Rock Shaft Knee Arm Hub Comp.
17	414115	1	露当 (組)	Rock Shaft Knee Arm Plate Comp.
18	541515	1	クロスガイド	Cloth Guide
19	504030	1	クロスガイド止メネジ	Cloth Guide Screw
20	55623	3	ボビン	Rotating Hook Bobbin
21	N1515-01-#10	3	針 (16X95#10) (国内)	Needle (16x95#10) (DOM)
21	N1955-01-#14	3	針 (135X65#14) (輸出)	Needle (135x65#14) (EXP)
21	N1515-01-#14	3	針 (16X95#14) (国内)	Needle (16x95#14) (DOM)
21	N1955-01-#16	3	針 (135X65#16) (輸出)	Needle (135x65#16) (EXP)
22	368317	1	ドライバ (大)	Screw Driver (large)
23	541514	1	ドライバ (小)	Screw Driver (small)
24	548701	1	ドライバ (長)	Screw Driver (long)
25	368444	1	ドライバ (針板止メネジ用)	Screw Driver (for throat plate screw)
26	545754	1	油受けドレンネジパッキン	Machine Base and Oil Reservoir Oil Drain Plug Screw Gasket
27	410154	1	油カン (C型オイル750cc)	Oil Can (750cc, filled with Singer type "C" oil)
28	410186	1	レストピン	Machine Rest Pin
29	368379	2	油受けクッション (大) (国内)	Machine Base and Oil Reservoir Cushion (front) (DOM)
29	540520	2	油受けクッション (大) (輸出)	Machine Base and Oil Reservoir Cushion (front) (EXP)
30	368380	2	油受けクッション (小) (国内)	Machine Base and Oil Reservoir Cushion (back) (DOM)
30	540521	2	油受けクッション (小) (輸出)	Machine Base and Oil Reservoir Cushion (back) (EXP)
31	546920-001	4	油受けクッション釘	Machine Base and Oil Reservoir Cushion Wire Nail
32	540522	2	ミシンヒンジ	Machine Hinge Connection
33	368381	2	ミシンヒンジ受け (国内)	Machine Hinge Connection Cushion (DOM)
33	540523	2	ミシンヒンジ受け (輸出)	Machine Hinge Connection Cushion (EXP)
34	546920-001	2	ミシンヒンジ受け釘	Machine Hinge Connection Cushion Wire Nail
35	414489-453	1	二本糸立台 (組)	Thread Unwinder (for two spools) Comp.
36	418441-001	1	六角レンチ (M3用)	Hexagon Wrench Key (for M3)
37	543066	1	六角レンチ (M4用)	Hexagon Wrench Key (for M4)
38	543087	1	六角レンチ (M5用)	Hexagon Wrench Key (for M5)
39	540899	3	コードリテーナ	Cord Retainer
40	368271	1	ベルトガード (組)	Belt Guard Comp.
41	368272	1	ベルトガード (前)	Belt Guard (front)
42	368273	1	ベルトガード (後)	Belt Guard (back)
43	368274	2	ベルトガードスタッド	Belt Guard Stud
44	544218-001	1	ベルトガード止メネジ	Belt Guard Screw
45	544213-003	1	ベルトガード固定ネジ	Belt Guard Stopper Screw
46	544212-006	1	ベルトガード (下) (組)	Belt Guard (lower) Comp.
47	368275	1	ベルトガード (下)	Belt Guard (lower)
48	368276	1	ベルトガードスライド	Belt Guard Slide
49	368277	1	ベルトガードスライドシャフト	Belt Guard Slide Shaft
50	368278	1	ベルトガードスライドバネ	Belt Guard Slide Spring
51	368279	3	ベルトガードスライドシャフト止メ輪	Belt Guard Slide Shaft Snap Ring
52	408913	2	ベルトガード (下) 木ネジ	Belt Guard (lower) Wood Screw
53	549398	1	ベルトガード (後) スペース	Belt Guard (back) Spacer
54	368280	1	ミシンカバー (輸出)	Machine Cover (EXP)
55	414407	1	自由押工固定ナイフ	Presser Foot Fixed Knife
56	368619	1	ドライバ (小) (十字)	Screw Driver (small) (plus)
57	368447	1		

PARTS AVAILABLE AT EXTRA CHARGE
別売品



NO.	部 品 番 号 PART NO.	品 名					名 称	DESCRIPTION
		691D10066	691D11066	691D15066	691D21066	691D25066		
1	545945	ボックススパナ	Box Wrench
2	368038	針板 (針穴径: φ1.6, #368064用)	Throat Plate(N.H.D.:φ1.6, for #368064)
3	368039	針板 (針穴径: φ2.0, #12481用)	Throat Plate(N.H.D.:φ2.0, for #12481)
4	368169	針板 (針穴径: φ1.6, #414463用)	Throat Plate(N.H.D.:φ1.6, for #414463)
5	368315	針板 (針穴径: φ1.8, #368314用)	Throat Plate(N.H.D.:φ1.8, for #368314)
6	368695-001	針板 (針穴径: φ1.2, #544962用)	Throat Plate(N.H.D.:φ1.2, for #544962)
7	368695-002	針板 (針穴径: φ1.4, #544962用)	Throat Plate(N.H.D.:φ1.4, for #544962)
8	368695-003	針板 (針穴径: φ1.6, #544962用)	Throat Plate(N.H.D.:φ1.6, for #544962)
9	368695-004	針板 (針穴径: φ1.8, #544962用)	Throat Plate(N.H.D.:φ1.8, for #544962)
10	368695-005	針板 (針穴径: φ2.0, #544962用)	Throat Plate(N.H.D.:φ2.0, for #544962)
11	368695-006	針板 (針穴径: φ2.2, #544962用)	Throat Plate(N.H.D.:φ2.2, for #544962)
12	12481	送り (3枚歯, 歯ピッチ: 1.6, #368039用)	Feed Dog(16 teeth to the inch, for #368039)
13	368064	送り (3枚歯, 歯ピッチ: 1.15, #368038用)	Feed Dog(22 teeth to the inch, for #368038)
14	368314	送り (3枚歯, 歯ピッチ: 1.6, #368315用)	Feed Dog(16 teeth to the inch, for #368315)
15	414463	送り (4枚歯, 歯ピッチ: 1.15, #368169用)	Feed Dog(22 teeth to the inch, for #368169)
16	544962	送り (4枚歯, 歯ピッチ: 1.15, #368695-XXX用)	Feed Dog(22 teeth to the inch, for #368695-XXX)
17	505643	自由押エ (雄)	Presser Foot Comp.
18	543059	自由押エ (雌)	Presser Foot Comp.
19	543419	自由押エ (雄)	Presser Foot Comp.
20	414216	中ガマ止め	Rotating Hook Bobbin Case Holder Position Bracket
21	545881	中ガマ止め	Rotating Hook Bobbin Case Holder Position Bracket
22	540796	ニードルガード	Needle Guard
23	414396	フィンガーガード	Finger Guard
24	414386	フィンガーガードセット	Finger Guard Set
25	374142	フィンガーガード	Finger Guard
26	548406	フィンガーガード取付ネジ	Finger Guard Set Screw
27	374143	フィンガーガード取付ネジスペーサ	Finger Guard Set Screw Spacer
28	414155	自由押エナット	Presser Foot Nut
29	374458	シール剤	Seal Compound
30	414407	中継ボルト (ライト取付用)	Extension Stud
31	368332	マシンカバー	Machine Cover
32	368348-001	自動押エ上げ装置	Automatic Foot Lift Device
33	368348-002	針上ガススイッチキット (XS1000用)	Needle Up Switch Kit (for XS1000)
34	368452	針上ガススイッチキット (XS2000/3000用)	Needle Up and Down Switch Kit (for XS2000/3000)
35	368453	ワイパー装置キット	Wiper Device Kit
36	368265	上糸ツカミ, 上糸グリ, 上糸吸引装置キット	Needle Thread Holder, Slack Needle Thread Regulator (upper) and Needle Thread Suction Unit Device Kit
37	369027-001	バックタックスイッチ装置キット	Back Tack Switch Device Kit
38	368714	マイクロスイッチ (雄) (自動押エ上げ用)	Micro Switch Comp. (for A.F.L. Device)
39	368745	3速ペダル装置キット (可変速型)	Standing Operation Pedal Device Kit (3 Pedals) (Variable Speed)
40	368745	4速ペダル装置キット (低速/高速型)	Standing Operation Pedal Device Kit (4 Pedals) (Low/High Speed)